


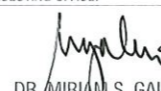

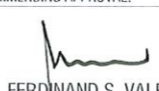
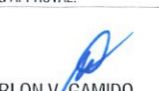

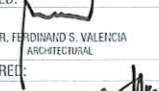

**CONSTRUCTION OF CET STUDENT
& PWD COMFORT ROOM
AND
REFURBISHMENT OF COS
GROUND FLOOR FEMALE & PWD
COMFORT ROOM**

CONSTRUCTION OF CET STUDENT & PWD COMFORT ROOM

COLLEGE OF ENGINEERING AND
TECHNOLOGY, MAIN CAMPUS




P E R S P E C T I V E
 SCALE _____ NTS.

 TARLAC STATE UNIVERSITY Facilities Development and Management Office <small>Romulo Boulevard, Tarlac City, Philippines 2300</small>	PROJECT TITLE: CONSTRUCTION OF CET STUDENT & PWD COMFORT ROOM AND REFURBISHMENT OF COS GROUND FLOOR FEMALE & PWD COMFORT ROOM	REQUESTING OFFICE:  DR. MIRIAM S. GALVEZ DEAN, CET	CHECKED BY:  ENGR. RYAN M. LAYUG PMU, HEAD	RECOMMENDING APPROVAL:  AR. FERDINAND S. VALENCIA FMO, DIRECTOR	RECOMMENDING APPROVAL:  DR. MARLON V. GAMIDO VP ADMIN AND FINANCE	APPROVED BY:  DR. MYRNA C. MALLARI PRESIDENT	CHECKED:  AR. FERDINAND S. VALENCIA ARCHITECTURAL PREPARED BY:  MR. NILSON D. REYES DRAFTER	SHEET CONTENTS: AS SHOWN	SHEET NO: A-01 PAGE NO: 01/25
	PROJECT LOCATION: TARLAC STATE UNIVERSITY COLLEGE OF ENGINEERING AND TECHNOLOGY, MAIN CAMPUS	DATE: DECEMBER 2021							



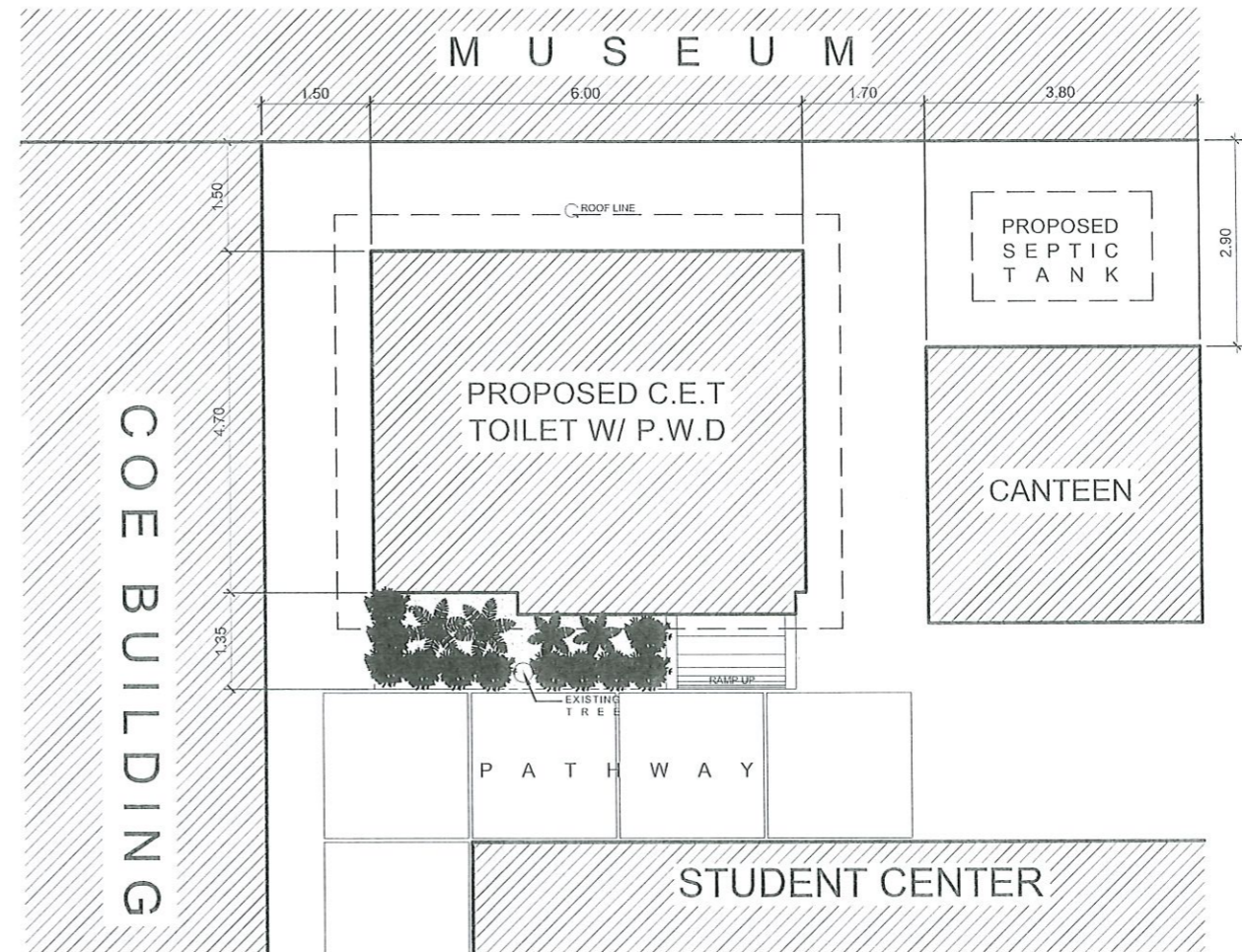
INTERIOR PERSPECTIVES
 SCALE _____ NTS.

TARLAC STATE UNIVERSITY Facilities Development and Management Office <small>Romulo Boulevard, Tarlac City, Philippines 2300</small>	PROJECT TITLE: CONSTRUCTION OF CET STUDENT & PWD COMFORT ROOM AND REFURBISHMENT OF COS GROUND FLOOR FEMALE & PWD COMFORT ROOM	REQUESTING OFFICE: DR. MIRIAM S. GALVEZ <small>DEAN, CET</small>	CHECKED BY: ENGR. RYAN M. LAYUG <small>PMU, HEAD</small>	RECOMMENDING APPROVAL: AR. FERDINAND S. VALENCIA <small>FMO, DIRECTOR</small>	RECOMMENDING APPROVAL: DR. MARLON V. GAMIDO <small>VP ADMIN AND FINANCE</small>	APPROVED BY: DR. MYRNA Q. MALLARI <small>PRESIDENT</small>	CHECKED: AR. FERDINAND S. VALENCIA <small>ARCHITECTURAL</small>	SHEET CONTENTS: AS SHOWN	SHEET NO: A-02
	PROJECT LOCATION: TARLAC STATE UNIVERSITY COLLEGE OF ENGINEERING AND TECHNOLOGY, MAIN CAMPUS	PREPARED: MR. HILSON D. REYES <small>DRAFTSMAN</small>	DATE: DECEMBER 2021	PAGE NO: 02/25					



SITE INSTRUCTION:

1. PROVIDE TEMPORARY BARRICADE WITHIN THE CONSTRUCTION AREA BY USING PLYWOOD/ ROOF SHEETS WITH STABLE FRAME. DO NOT USE "BLUE SACK"
2. PROVIDE SAFETY SIGNAGE.



LOCATION MAP
SCALE NTS.

SITE DEVELOPMENT PLAN
SCALE 1:100 MTS.



TARLAC STATE UNIVERSITY
Facilities Development and Management Office
Romulo Boulevard, Tarlac City, Philippines 2300

PROJECT TITLE:
CONSTRUCTION OF CET STUDENT & PWD COMFORT ROOM AND REFURBISHMENT OF COS GROUND FLOOR FEMALE & PWD COMFORT ROOM

PROJECT LOCATION:
TARLAC STATE UNIVERSITY
COLLEGE OF ENGINEERING AND TECHNOLOGY, MAIN CAMPUS

REQUESTING OFFICE:
[Signature]
DR. MIRIAM S. GALVEZ
DEAN, CET

CHECKED BY:
[Signature]
ENGR. RYAN M. LAYUG
PMU, HEAD

RECOMMENDING APPROVAL:
[Signature]
AR. FERDINAND S. VALENCIA
EDMO, DIRECTOR

RECOMMENDING APPROVAL:
[Signature]
DR. MARLON V. GAMIDO
VP ADMIN AND FINANCE

APPROVED BY:
[Signature]
DR. MYRNA Q. MALLARI
PRESIDENT

CHECKED:
[Signature]
AR. FERDINAND S. VALENCIA
ARCHITECTURAL

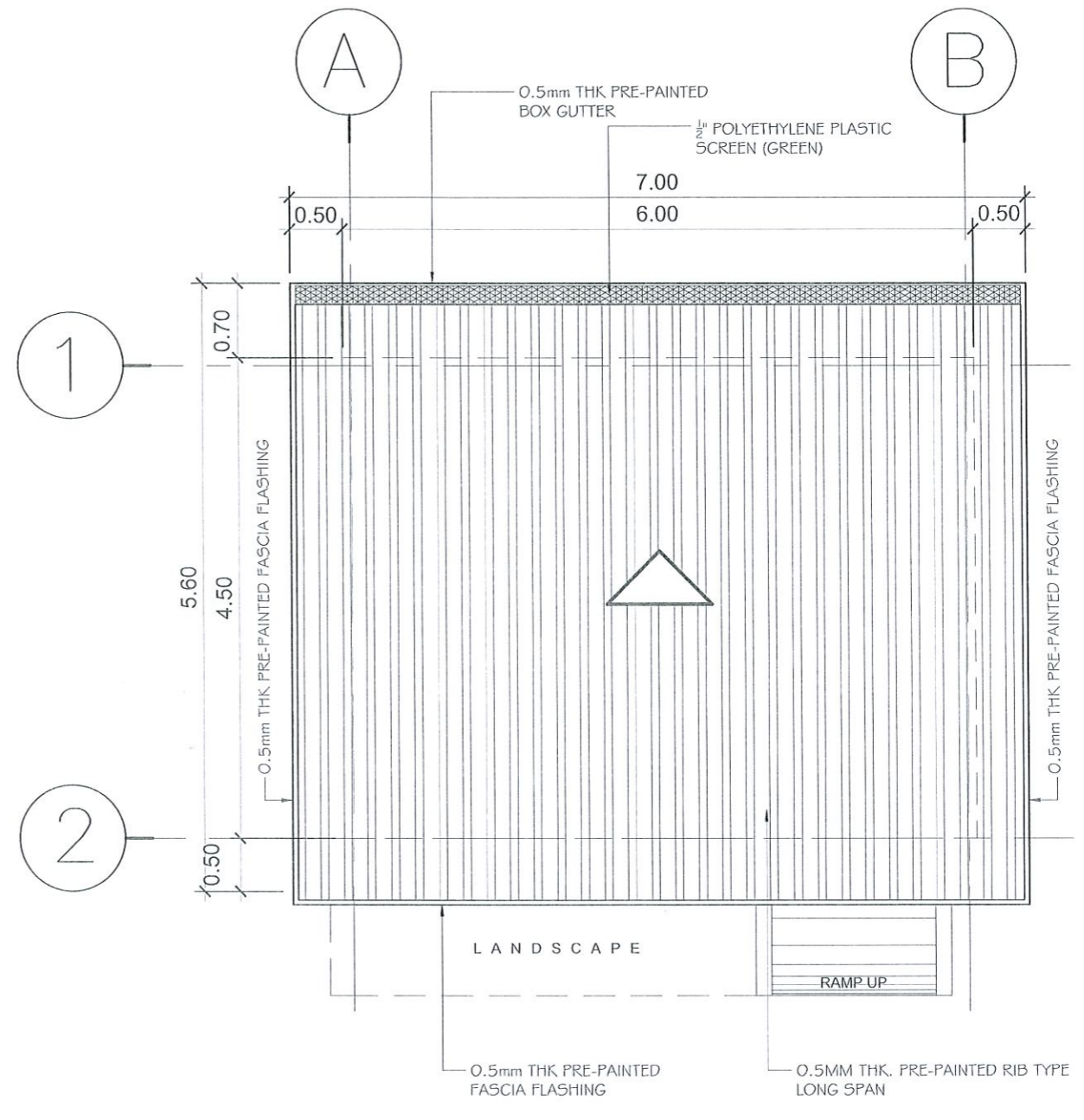
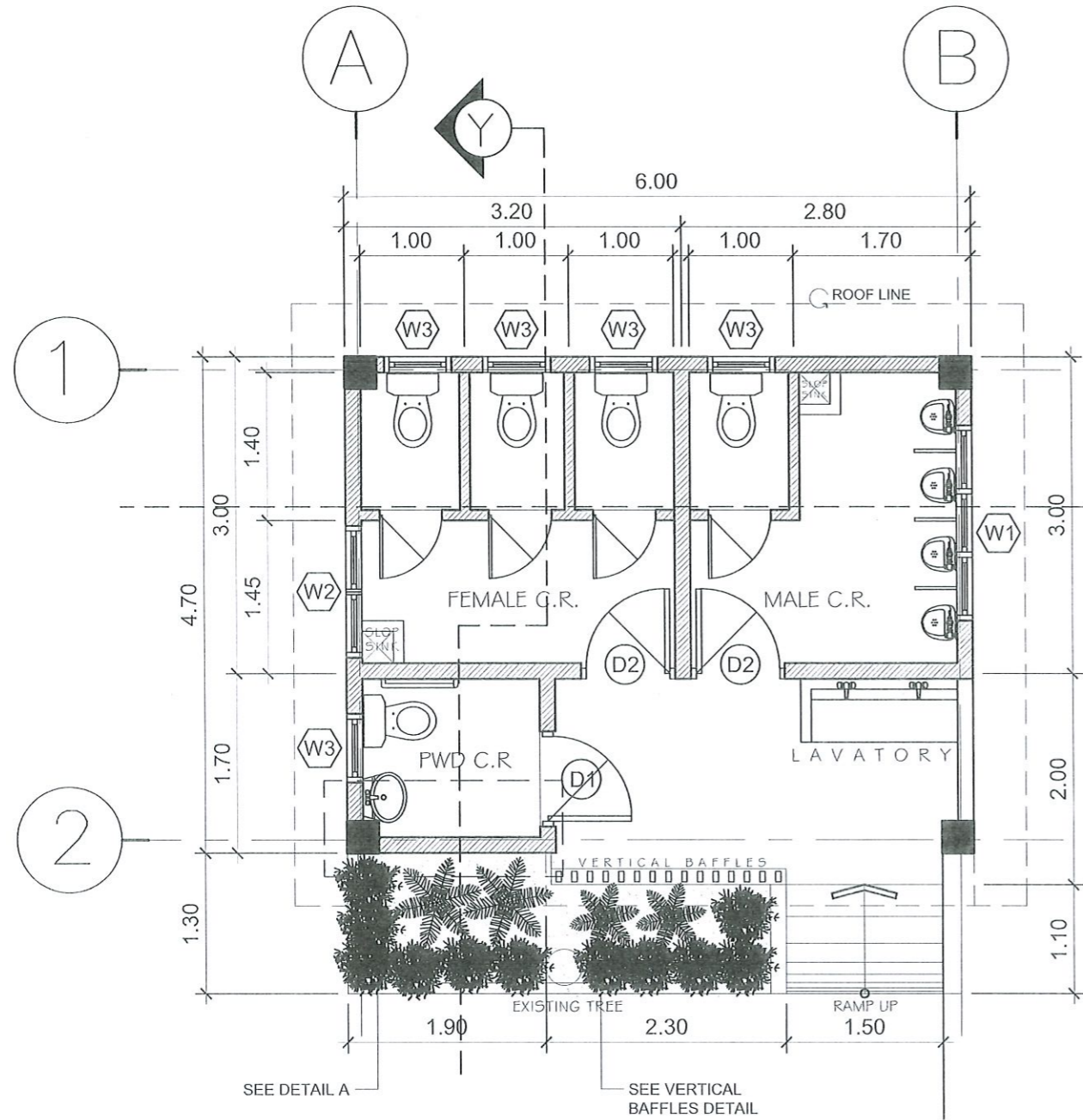
PREPARED:
[Signature]
MR. HILSON D. REYES
DRAFTSMAN

SHEET CONTENTS:
AS SHOWN

DATE: DECEMBER 2021

SHEET NO:
A-03

PAGE NO:
03/25



TARLAC STATE UNIVERSITY
Facilities Development and Management Office
 Romulo Boulevard, Tarlac City, Philippines 2300

PROJECT TITLE:
 CONSTRUCTION OF CET STUDENT & PWD COMFORT ROOM AND REFURBISHMENT OF
 COS GROUND FLOOR FEMALE & PWD COMFORT ROOM

PROJECT LOCATION:
 TARLAC STATE UNIVERSITY
 COLLEGE OF ENGINEERING AND TECHNOLOGY, MAIN CAMPUS

REQUESTING OFFICE:
 DR. MIRIAM S. GALVEZ
 DEAN, CET

CHECKED BY:
 ENGR. RYAN M. LAYUG
 PMU, HEAD

RECOMMENDING APPROVAL:
 AR. FERDINAND S. VALENCIA
 FDMO, DIRECTOR

RECOMMENDING APPROVAL:
 DR. MARLON V. GAMIDO
 VP ADMIN AND FINANCE

APPROVED BY:
 DR. MYRNA Q. MALLARI
 PRESIDENT

CHECKED:
 AR. FERDINAND S. VALENCIA
 ARCHITECTURAL

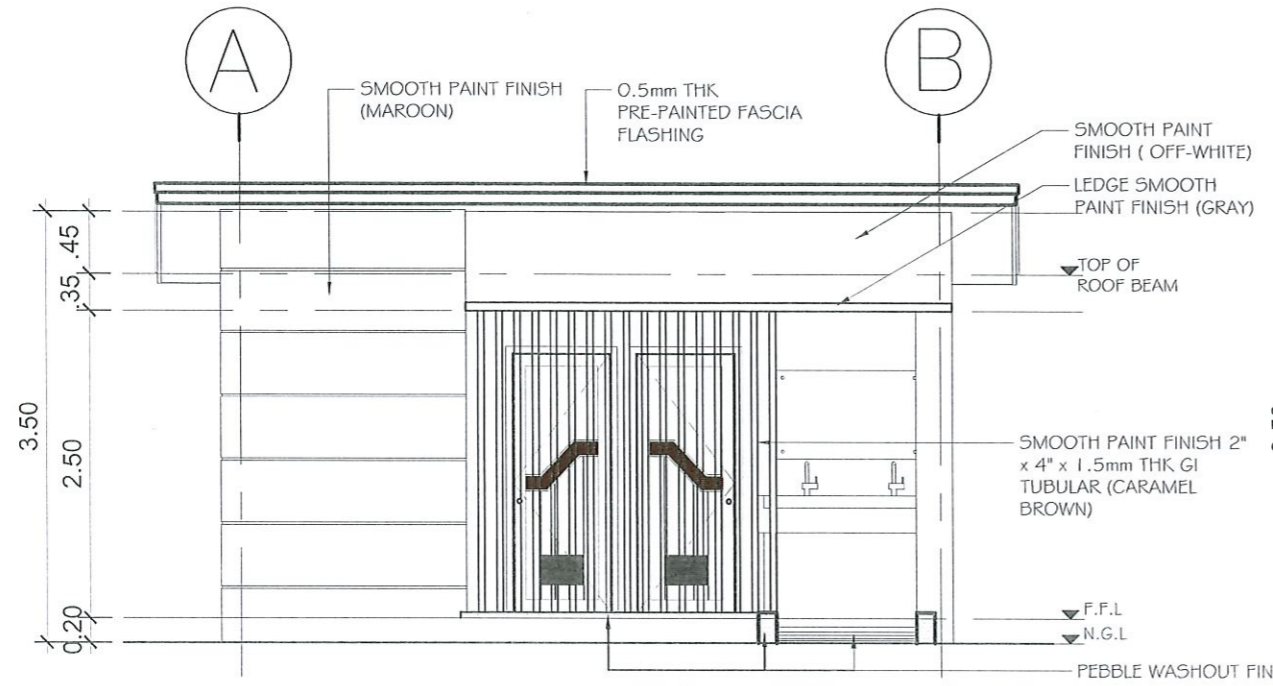
PREPARED:
 MR. HILSON D. REYES
 DRAFTSMAN

SHEET CONTENTS:
 AS SHOWN

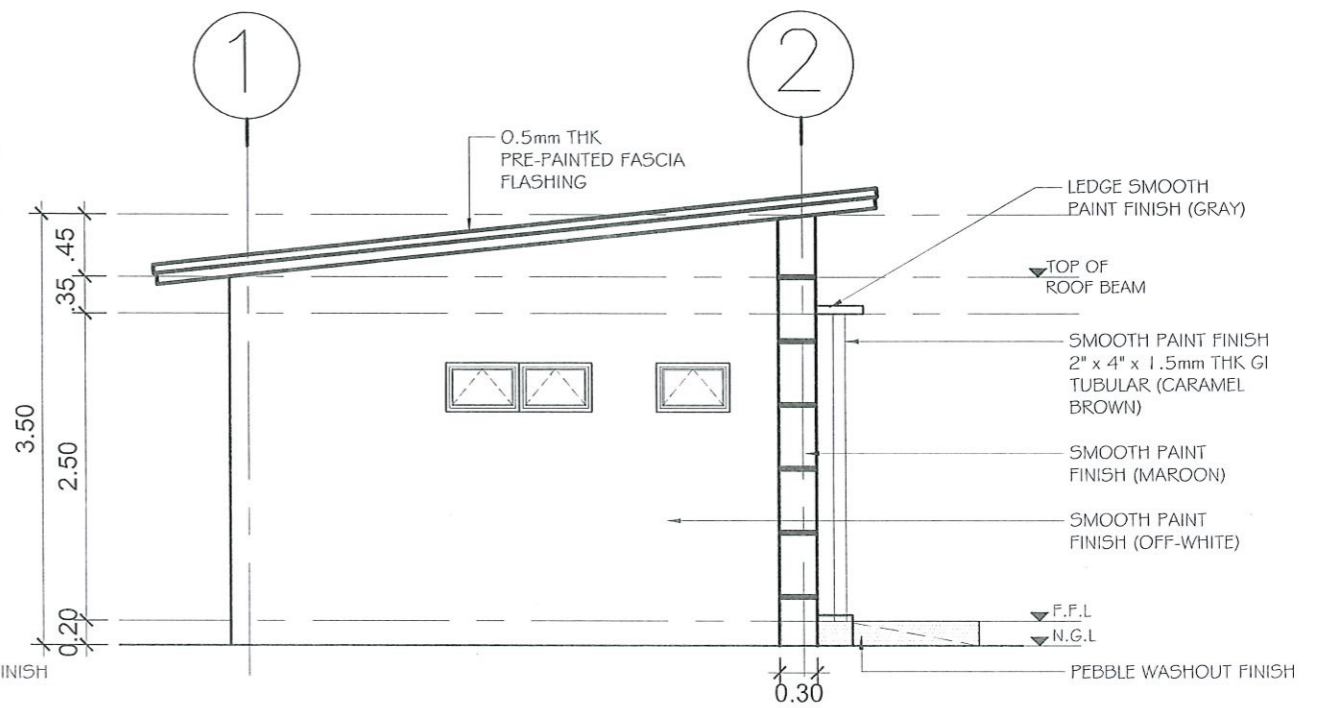
DATE: DECEMBER 2021

SHEET NO:
A-04

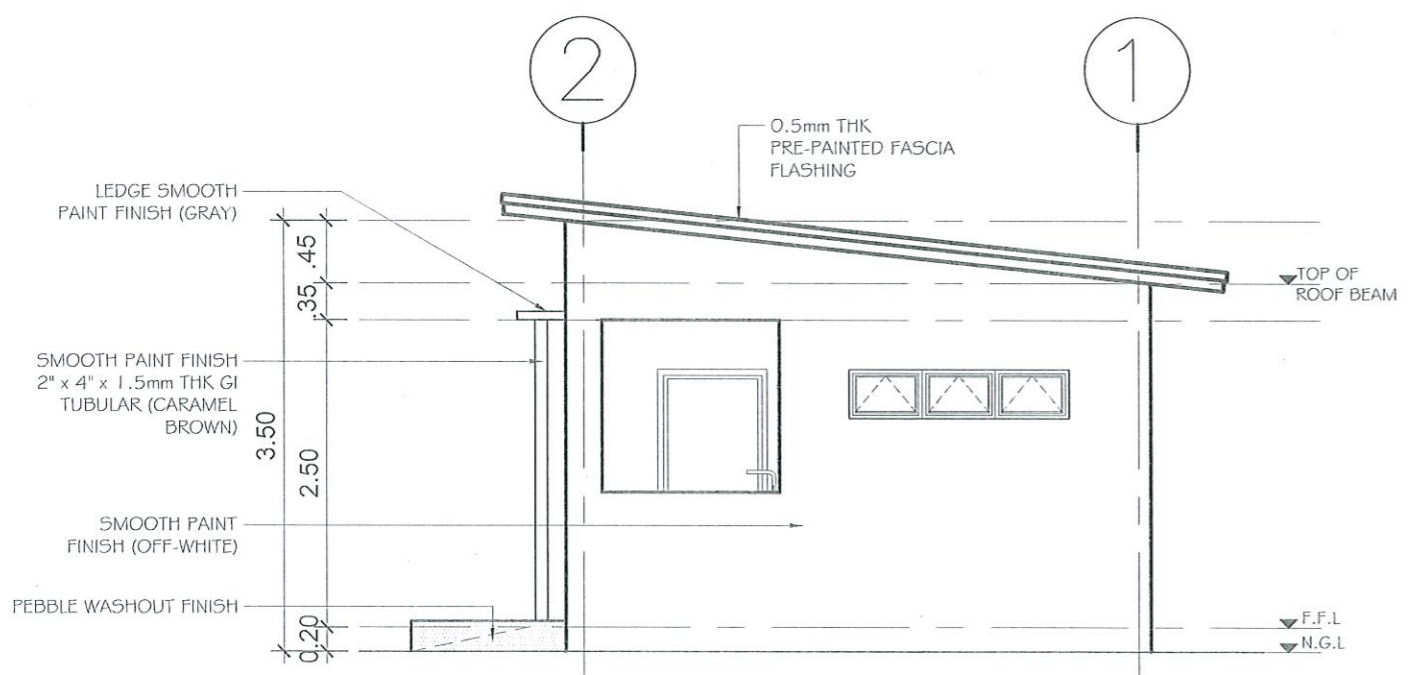
PAGE NO:
04/25



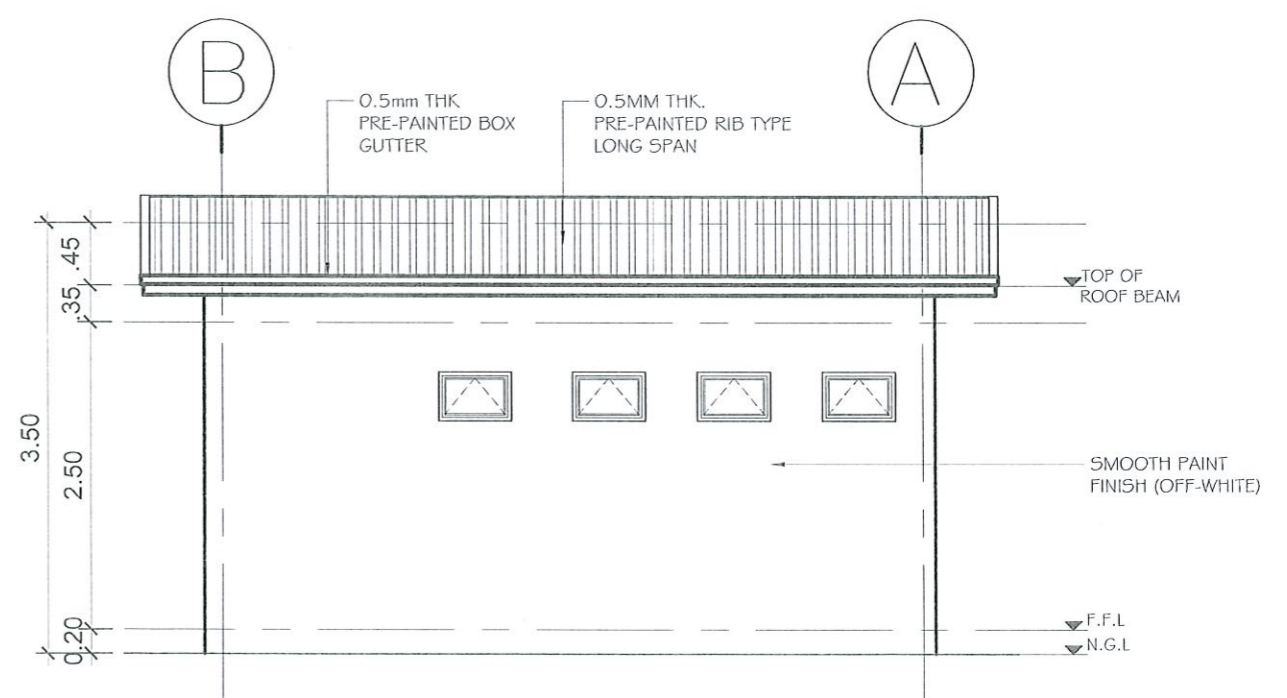
FRONT ELEVATION
SCALE 1:60 MTS.



RIGHT ELEVATION
SCALE 1:60 MTS.



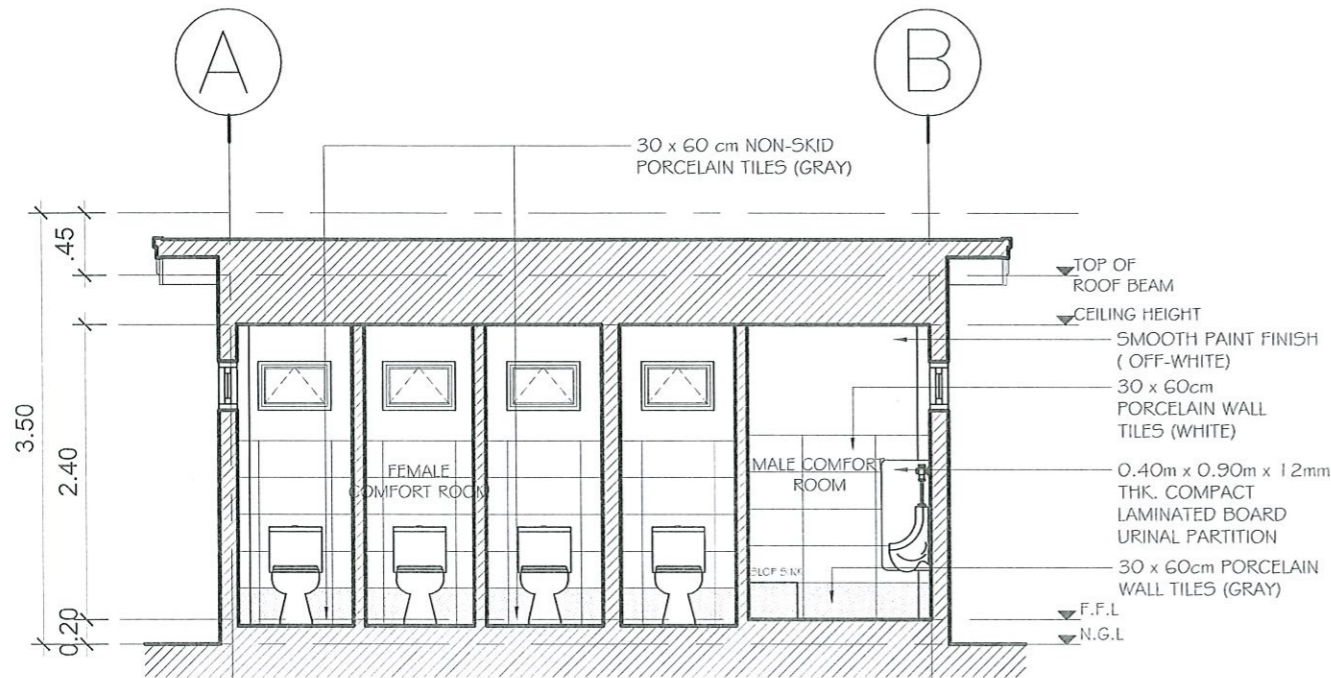
FRONT ELEVATION
SCALE 1:60 MTS.



REAR ELEVATION
SCALE 1:60 MTS.

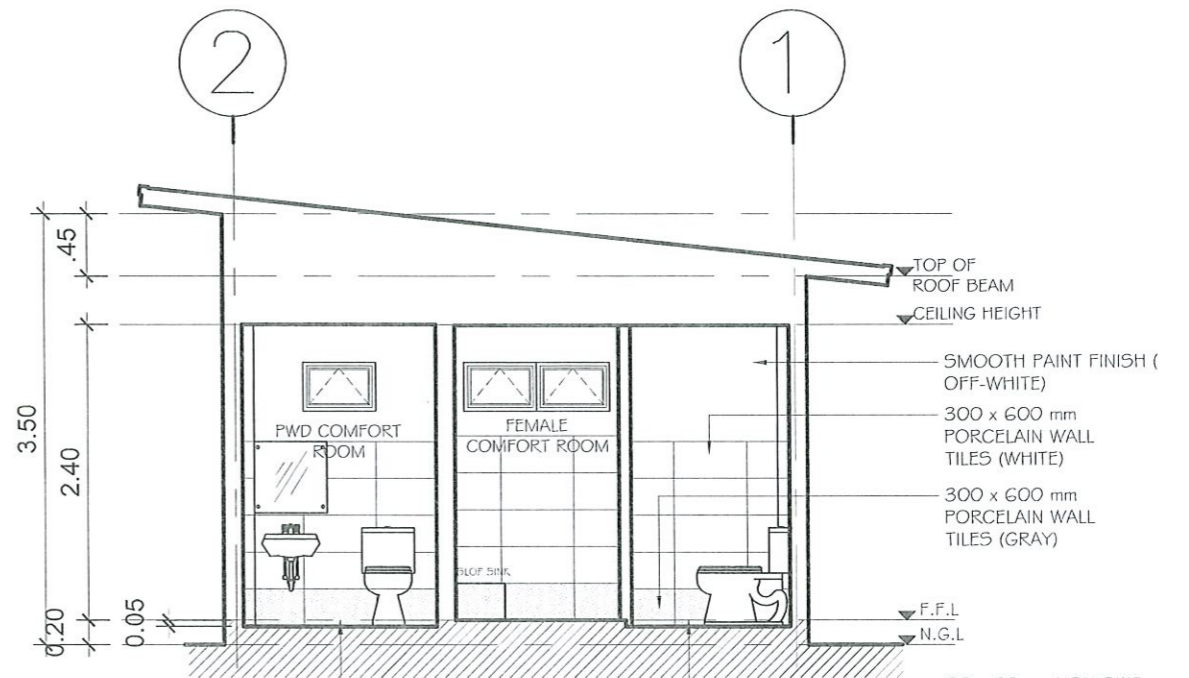


TARLAC STATE UNIVERSITY Facilities Development and Management Office Romulo Boulevard, Tarlac City, Philippines 2300	PROJECT TITLE:	REQUESTING OFFICE:	CHECKED BY:	RECOMMENDING APPROVAL:	RECOMMENDING APPROVAL:	APPROVED BY:	CHECKED:	SHEET CONTENTS:	SHEET NO.:
	CONSTRUCTION OF CET STUDENT & PWD COMFORT ROOM AND REFURBISHMENT OF COS GROUND FLOOR FEMALE & PWD COMFORT ROOM	DR. MIRIAM S. GALVEZ DEAN, CET	ENGR. RYAN M. LAYUG PMU, HEAD	AR. FERDINAND S. VALENCIA FDMO, DIRECTOR	DR. MARLON V. GAMIDO VP ADMIN AND FINANCE	DR. MYRNA Q. MALLARI PRESIDENT	AR. FERDINAND S. VALENCIA ARCHITECTURAL	AS SHOWN	A-05
	PROJECT LOCATION:						PREPARED:	DATE:	PAGE NO.:
	TARLAC STATE UNIVERSITY COLLEGE OF ENGINEERING AND TECHNOLOGY, MAIN CAMPUS						MR. HILSON D. REYES DRAFTSMAN	DECEMBER 2021	05/25



SECTION THRU "X"

SCALE 1:60 MTS.



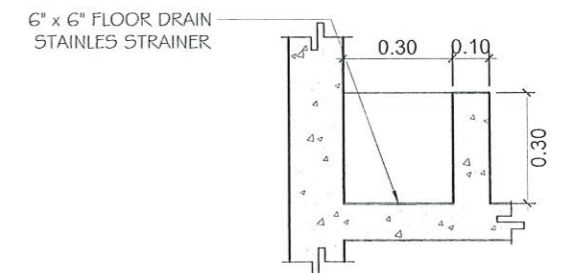
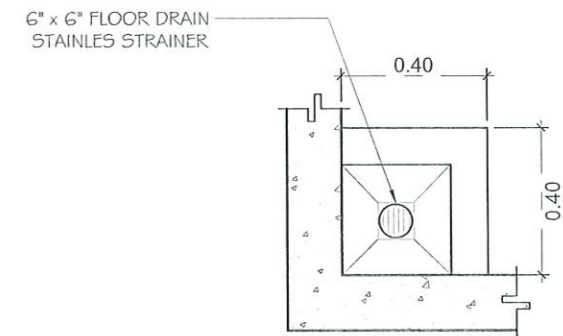
SECTION THRU "Y"

SCALE 1:60 MTS.

(D1) 1 - SET REQUIRED LOCATION: CET PWD COMFORT ROOM	(D2) 2 - SETS REQUIRED LOCATION: CET MALE & FEMALE C.R.	(D3) 4 - SETS REQUIRED LOCATION: MALE & FEMALE COMFORT ROOM	(W1) 1 - SET REQUIRED LOCATION: MALE COMFORT ROOM	(W2) 1 - SET REQUIRED LOCATION: FEMALE COMFORT ROOM	(W3) 5 - SETS REQUIRED LOCATION: PWD, MALE & FEMALE COMFORT ROOM
TANGUILE WOOD PANEL DOOR W/ VENT LOUVERS AND DOOR JAMB (SMOOTH VARNISH FINISH) WITH HEAVY DUTY DOME TYPE DOOR KNOB, HINGES AND COMPLETE ACCESSORIES INCLUDING ACRYLIC PWD LOGO	TANGUILE WOOD PANEL DOOR W/ VENT LOUVERS AND DOOR JAMB (SMOOTH VARNISH FINISH) WITH HEAVY DUTY DOME TYPE DOOR KNOB, HINGES AND COMPLETE ACCESSORIES	uPVC FLUSH DOOR WITH LOUVERS AND JAMB (WHITE) WITH DOME TYPE DOOR KNOB AND COMPLETE ACCESSORIES	6mm THK REFLECTIVE GLASS WITH WHITE POWDER COATED ALUMINUM AWNING WINDOW AND COMPLETE ACCESSORIES	6mm THK REFLECTIVE GLASS WITH WHITE POWDER COATED ALUMINUM AWNING WINDOW AND COMPLETE ACCESSORIES	6mm THK REFLECTIVE GLASS WITH WHITE POWDER COATED ALUMINUM AWNING WINDOW AND COMPLETE ACCESSORIES

SCHEDULE OF DOORS & WINDOWS

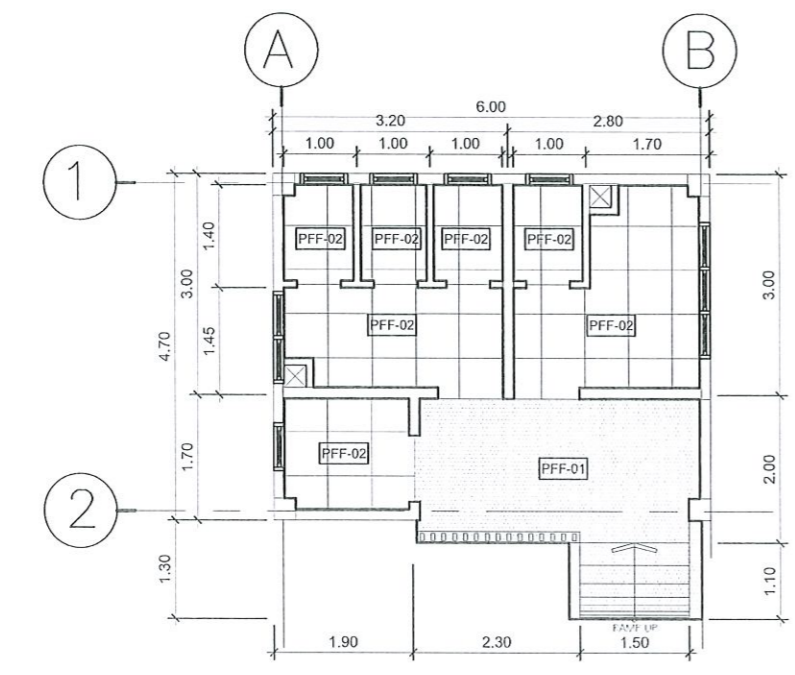
SCALE 1:60 MTS.



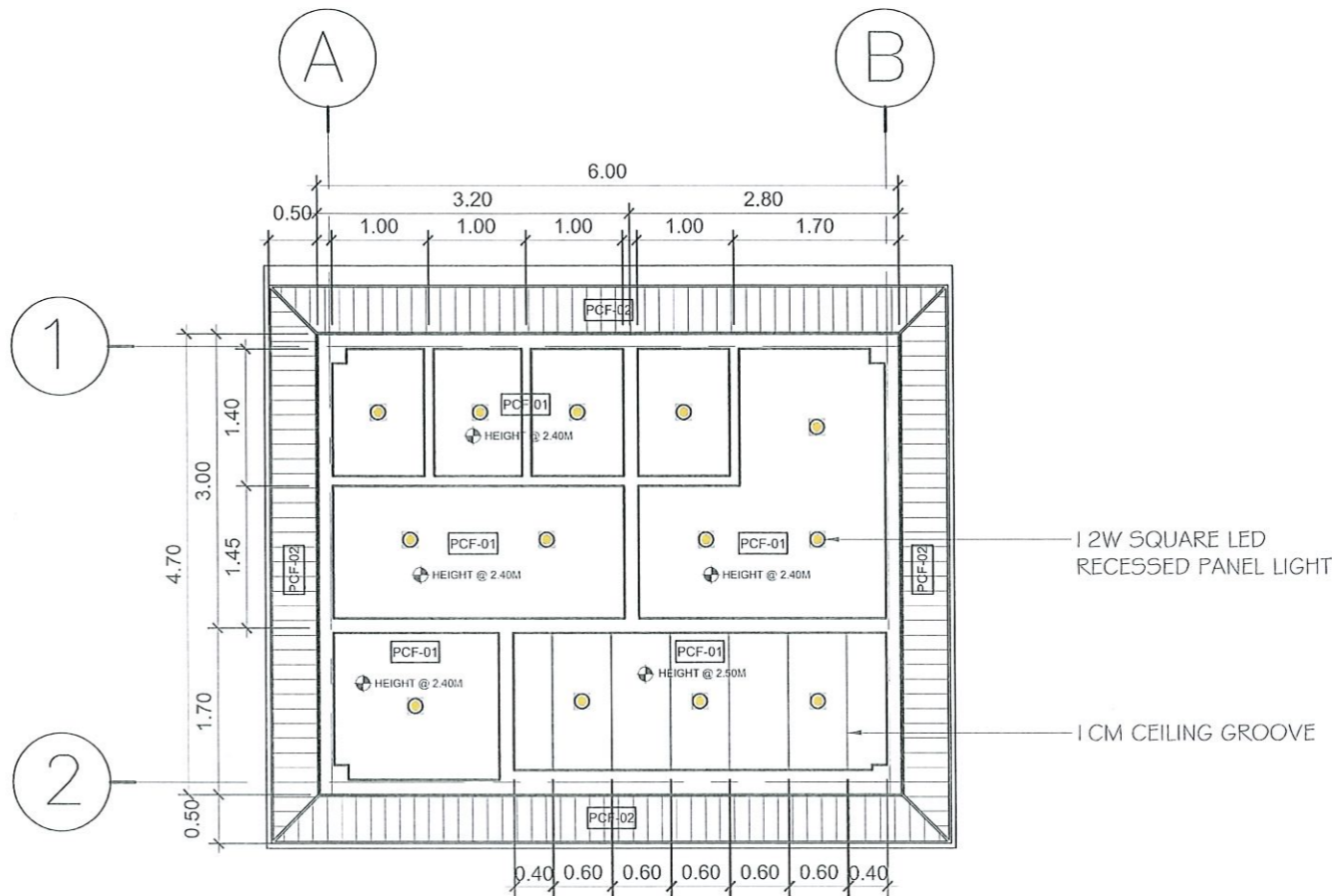
SLOP SINK DETAIL

SCALE 1:20 MTS.

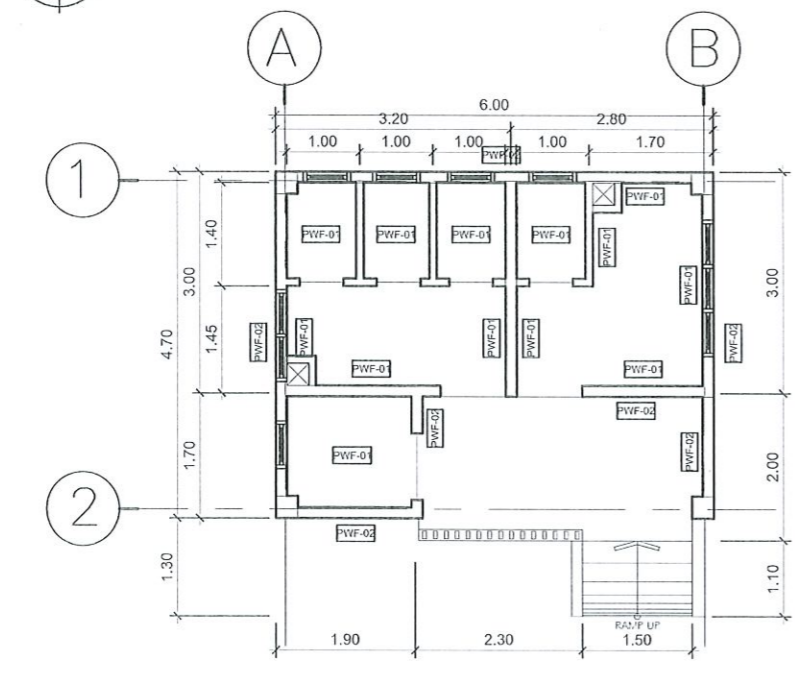
<p>TARLAC STATE UNIVERSITY Facilities Development and Management Office Romulo Boulevard, Tarlac City, Philippines 2100</p>	PROJECT TITLE: CONSTRUCTION OF CET STUDENT & PWD COMFORT ROOM AND REFURBISHMENT OF COS GROUND FLOOR FEMALE & PWD COMFORT ROOM	REQUESTING OFFICE: DR. MIRIAM S. GALVEZ DEAN, CET	CHECKED BY: ENGR. RYAN M. LAYUG PMU, HEAD	RECOMMENDING APPROVAL: AR. FERDINAND S. VALENCIA FDMO, DIRECTOR	RECOMMENDING APPROVAL: DR. MARLON V. GAMIDO VP ADMIN AND FINANCE	APPROVED BY: DR. MYRNA Q. MALLARI PRESIDENT	CHECKED: AR. FERDINAND S. VALENCIA ARCHITECTURAL	SHEET CONTENTS: AS SHOWN	SHEET NO: A-06
	PROJECT LOCATION: TARLAC STATE UNIVERSITY COLLEGE OF ENGINEERING AND TECHNOLOGY, MAIN CAMPUS	PREPARED: MR. HILSON D. REYES DRAFTSMAN	DATE: DECEMBER 2021	PAGE NO: 06/25					



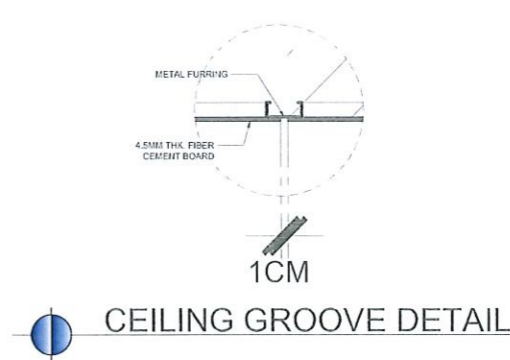
FLOOR FINISHED LAYOUT
SCALE 1:100 MTS.



REFLECTED CEILING PLAN
SCALE 1:75 MTS.



WALL FINISH LAYOUT
SCALE 1:100 MTS.

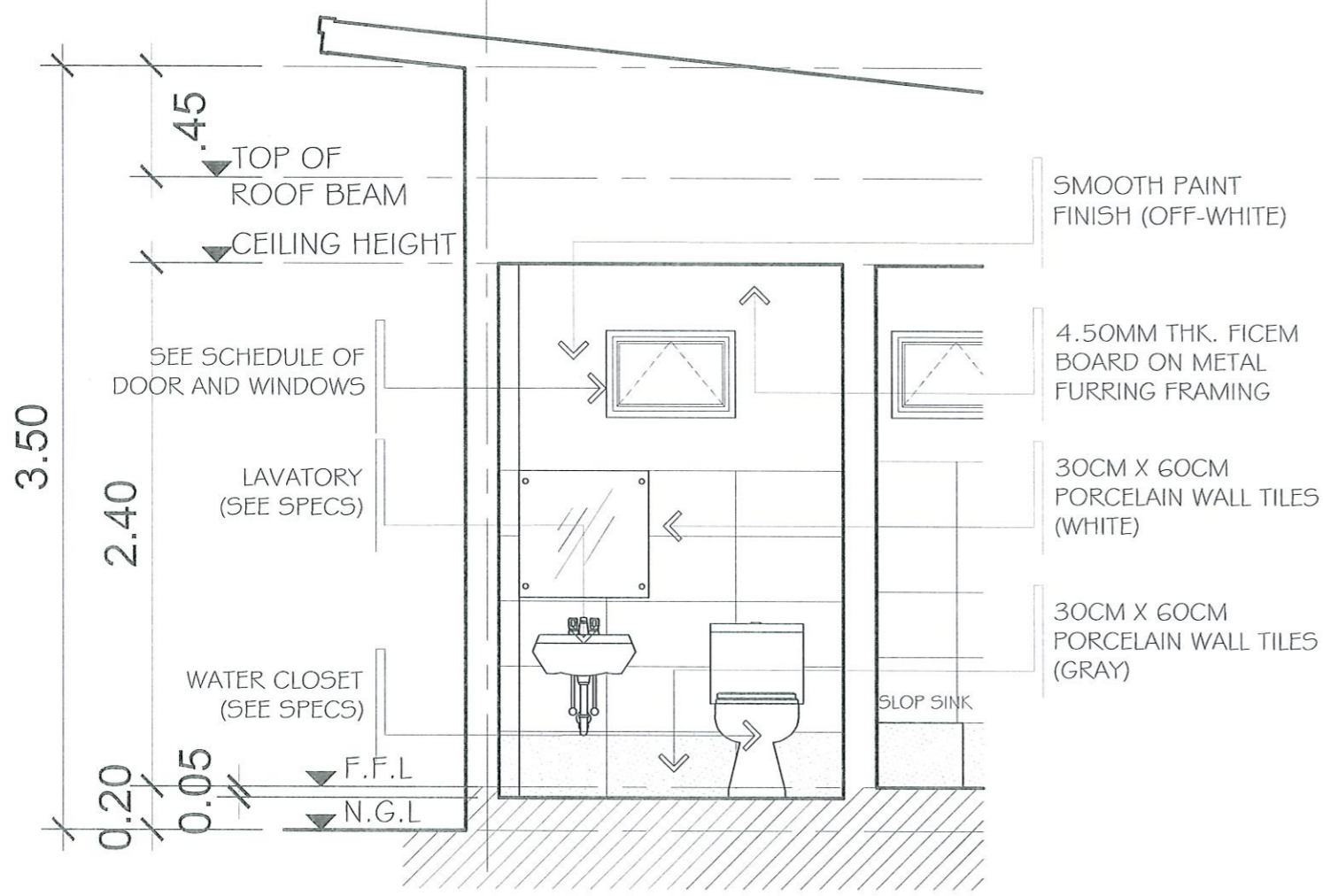


CEILING GROOVE DETAIL

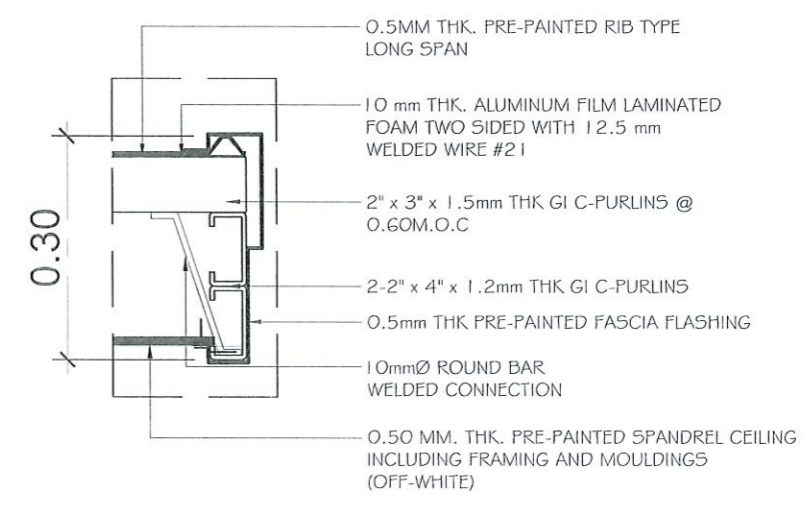
PROPOSED WALL FINISH:		PROPOSED FLOOR FINISH		PROPOSED CEILING FINISH	
PWF-01	SMOOTH PAINT FINISH (OFF WHITE) WITH 300 X 600 MM PORCELAIN WALL TILES @ 1.50M HEIGHT	PFF-01	#10 PEBBLE WASHOUT FINISH	PCF-01	4.5MM THK. FIBER CEMENT BOARD ON METAL FURRING FRAME SMOOTH PAINT FINISH (FLAT LATEX)
PWF-02	SMOOTH PAINT FINISH	PFF-02	600 X 600 MM PORCELAIN NON-SKID FLOOR TILES (GRAY)	PCF-02	0.5mm THK. PRE-PAINTED SPANDREL WITH VENT (OFF WHITE)

<p>TARLAC STATE UNIVERSITY Facilities Development and Management Office Romulo Boulevard, Tarlac City, Philippines 2300</p>	PROJECT TITLE: CONSTRUCTION OF CET STUDENT & PWD COMFORT ROOM AND REFURBISHMENT OF COS GROUND FLOOR FEMALE & PWD COMFORT ROOM	REQUESTING OFFICE: DR. MIRIAM S. GALVEZ DEAN, CET	CHECKED BY: ENGR. RYAN M. LAYUG IFMU, HEAD	RECOMMENDING APPROVAL: AR. FERDINAND S. VALENCIA IDMO, DIRECTOR	RECOMMENDING APPROVAL: DR. MARLOW V. GAMIDO VP ADMIN AND FINANCE	APPROVED BY: DR. MYRNA Q. MALLARI PRESIDENT	CHECKED: AR. FERDINAND S. VALENCIA ARCHITECTURAL	SHEET CONTENTS: AS SHOWN	SHEET NO: A-07
	PROJECT LOCATION: TARLAC STATE UNIVERSITY COLLEGE OF ENGINEERING AND TECHNOLOGY, MAIN CAMPUS	PREPARED: MR. HILSON D. REYES DRAFTSMAN	DATE: DECEMBER 2021	PAGE NO: 07/25					

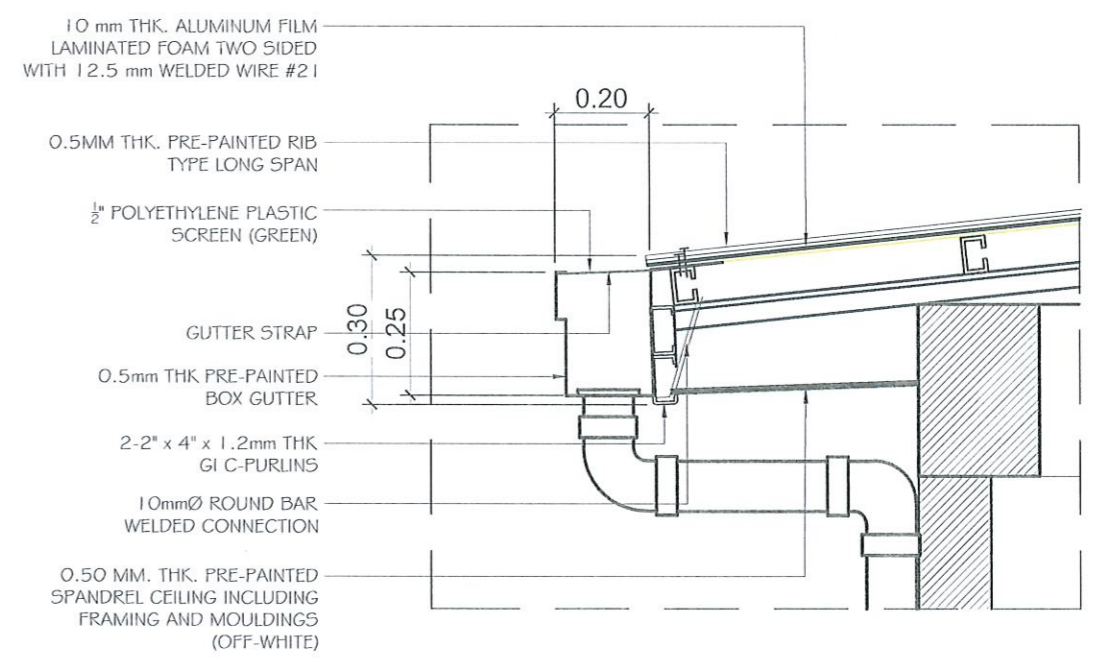
2



BAY SECTION
SCALE 1:30 MTS.



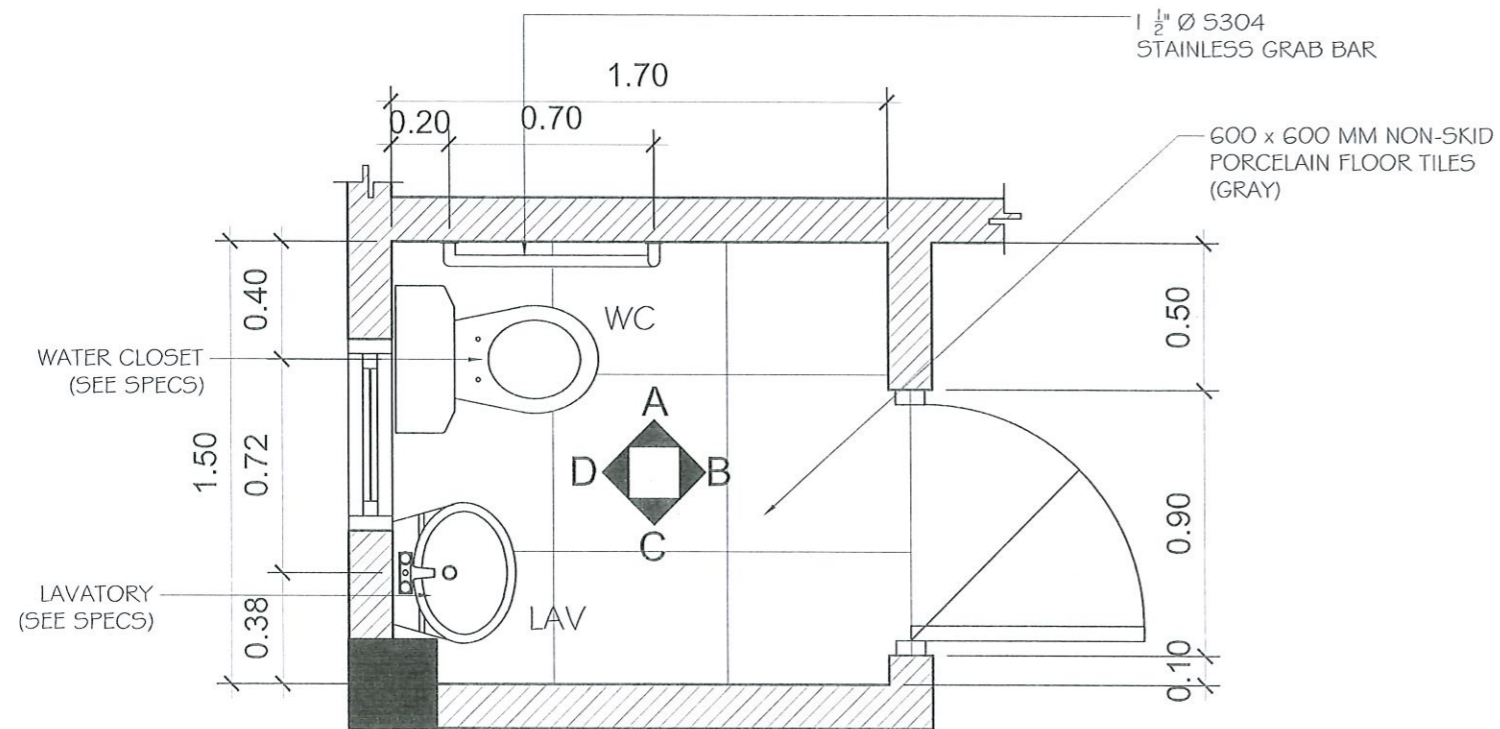
END FLASHING DETAIL
SCALE 1:10 MTS.



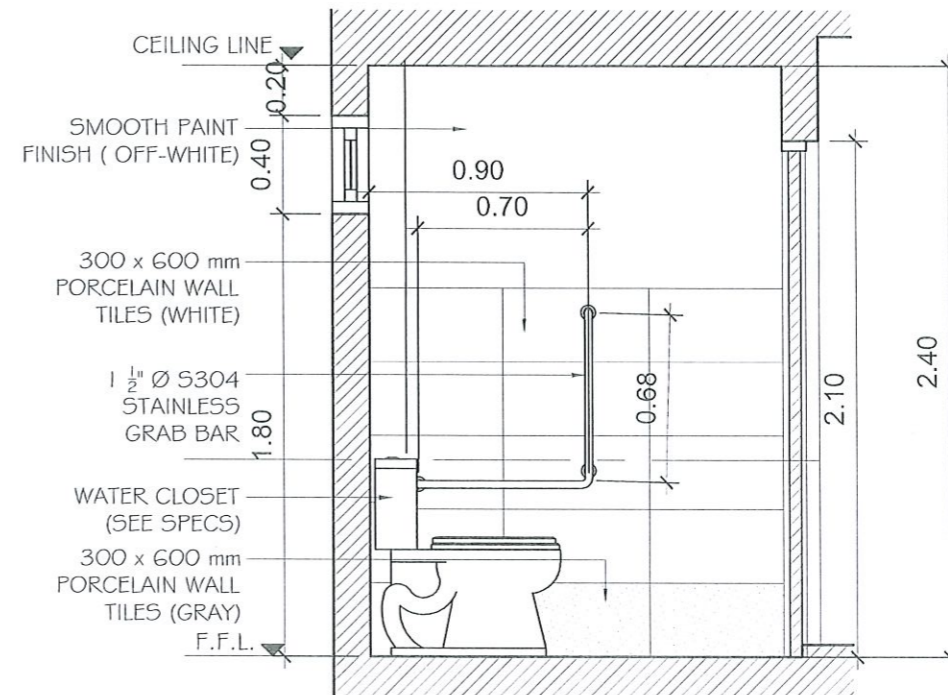
GUTTER SECTION DETAIL
SCALE 1:15 MTS.



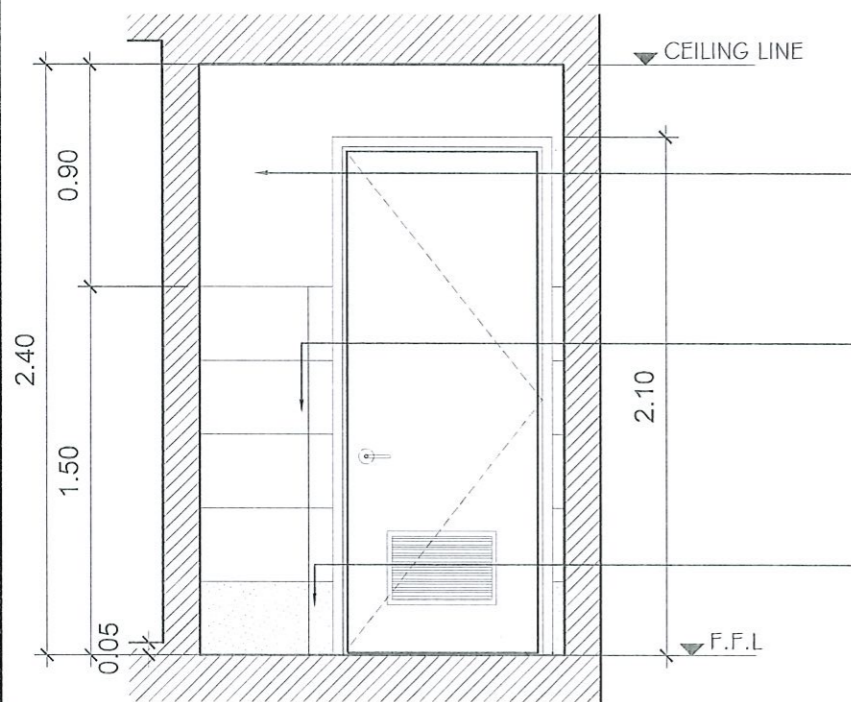
TARLAC STATE UNIVERSITY Facilities Development and Management Office Romulo Boulevard, Tarlac City, Philippines 2300	PROJECT TITLE:	REQUESTING OFFICE:	CHECKED BY:	RECOMMENDING APPROVAL:	RECOMMENDING APPROVAL:	APPROVED BY:	CHECKED:	SHEET CONTENTS:	SHEET NO:
	CONSTRUCTION OF CET STUDENT & PWD COMFORT ROOM AND REFURBISHMENT OF COS GROUND FLOOR FEMALE & PWD COMFORT ROOM	DR. MIRIAM S. GALVEZ DEAN, CET	ENGR. RYAN M. LAYUG PMU, HEAD	AR. FERDINAND S. VALENCIA FDMO, DIRECTOR	DR. MARLON V. GAMIDO VP ADMIN AND FINANCE	DR. MYRNA Q. MALLARI PRESIDENT	AR. FERDINAND S. VALENCIA ARCHITECTURAL	AS SHOWN	A-08
	PROJECT LOCATION:						PREPARED:		PAGE NO:
	TARLAC STATE UNIVERSITY COLLEGE OF ENGINEERING AND TECHNOLOGY, MAIN CAMPUS						MR. HILSON D. REYES DRAFTSMAN	DATE: DECEMBER 2021	08/25



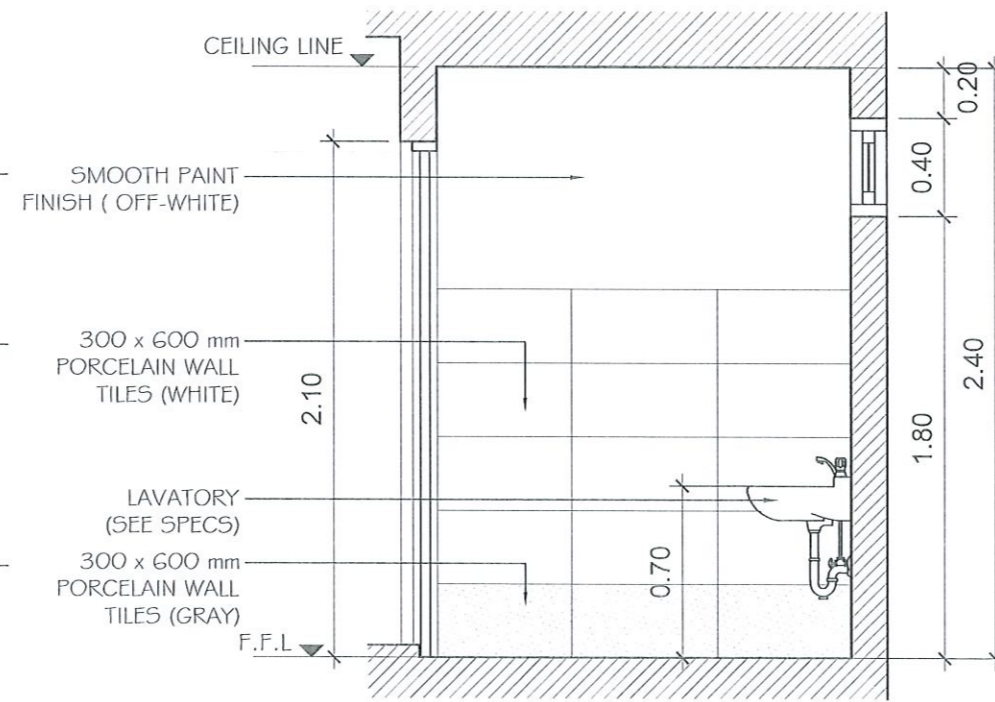
PWD TOILET BLOW-UP PLAN
SCALE 1:25 MTS.



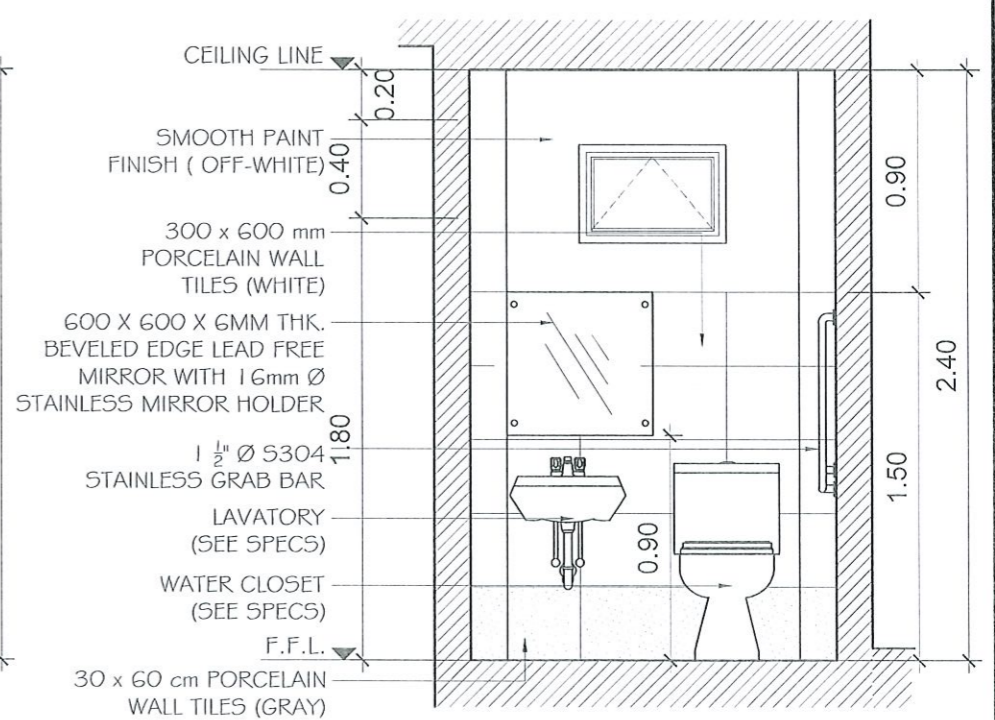
ELEVATION A
SCALE 1:30 MTS.




ELEVATION B
SCALE 1:30 MTS.

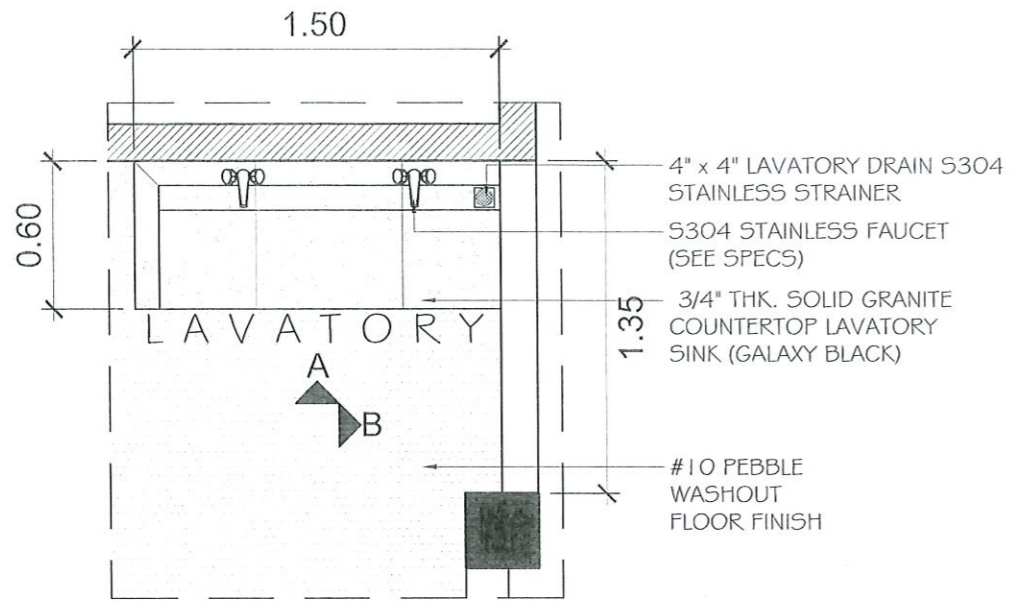


ELEVATION C
SCALE 1:30 MTS.

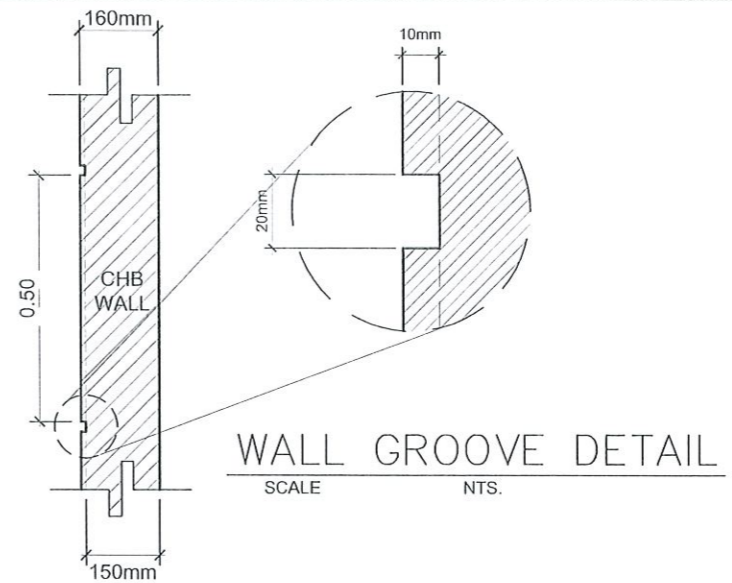


ELEVATION D
SCALE 1:30 MTS.

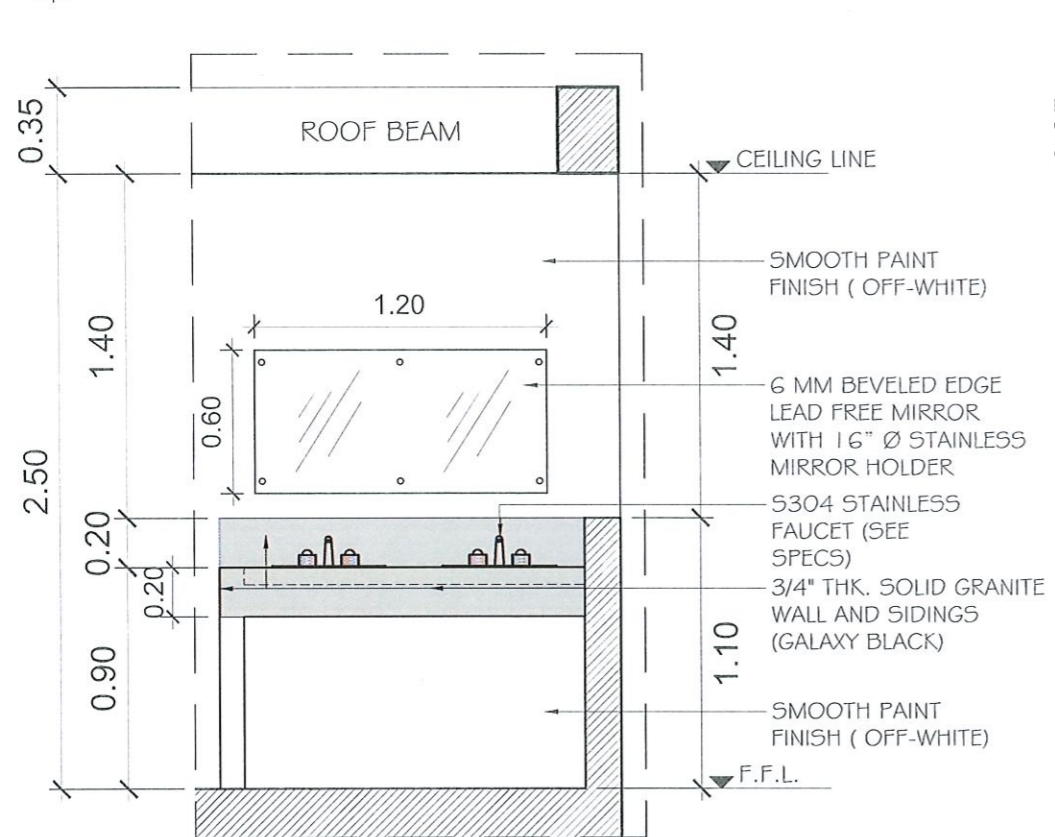
 TARLAC STATE UNIVERSITY Facilities Development and Management Office Romulo Boulevard, Tarlac City, Philippines 2300	PROJECT TITLE:	REQUESTING OFFICE:	CHECKED BY:	RECOMMENDING APPROVAL:	RECOMMENDING APPROVAL:	APPROVED BY:	CHECKED:	SHEET CONTENTS:	SHEET NO:
	CONSTRUCTION OF CET STUDENT & PWD COMFORT ROOM AND REFURBISHMENT OF COS GROUND FLOOR FEMALE & PWD COMFORT ROOM	DR. MIRIAM S. GALVEZ DEAN, CET	ENGR. RYAN M. LAYUG PMU, HEAD	AR. FERDINAND S. VALENCIA FDMO, DIRECTOR	DR. MARLON V. GAMIDO VP ADMIN AND FINANCE	DR. MYRNA D. MALLARI PRESIDENT	AR. FERDINAND S. VALENCIA ARCHITECTURAL	AS SHOWN	A-09
	PROJECT LOCATION:						PREPARED BY:		PAGE NO:
	TARLAC STATE UNIVERSITY COLLEGE OF ENGINEERING AND TECHNOLOGY, MAIN CAMPUS						MR. HILSON D. REYES DRAFTSMAN	DATE: DECEMBER 2021	09/25



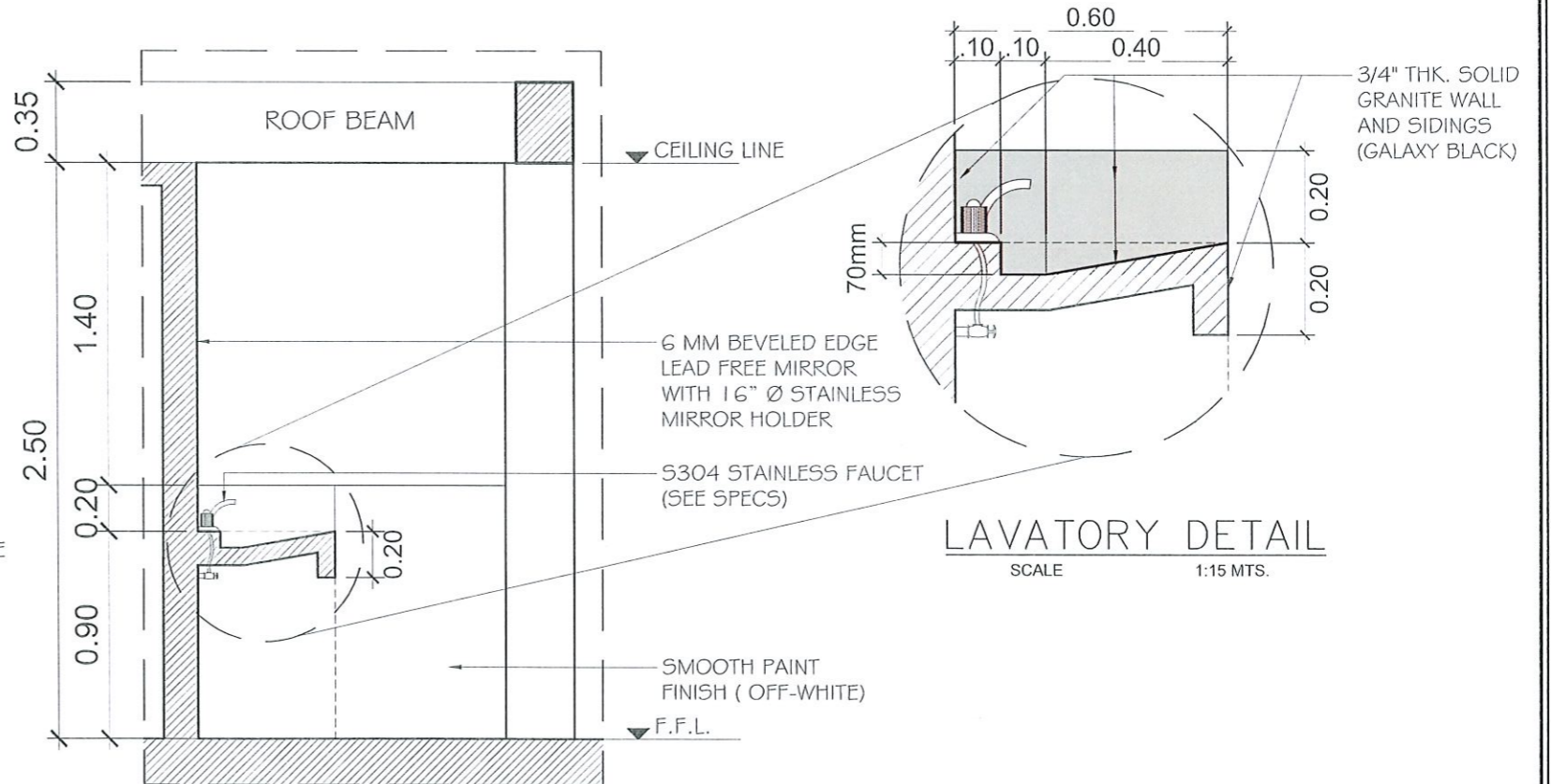
LAVATORY BLOW-UP PLAN
SCALE 1:30 MTS.



SECTION
SCALE 1:15 MTS.



ELEVATION A
SCALE 1:30 MTS.



ELEVATION B
SCALE 1:30 MTS.



PROJECT TITLE:
CONSTRUCTION OF CET STUDENT & PWD COMFORT ROOM AND REFURBISHMENT OF
CDS GROUND FLOOR FEMALE & PWD COMFORT ROOM

PROJECT LOCATION:
TARLAC STATE UNIVERSITY
COLLEGE OF ENGINEERING AND TECHNOLOGY, MAIN CAMPUS

REQUESTING OFFICE:
DR. MIRIAM S. GALVEZ
DEAN, CET

CHECKED BY:
ENGR. RYAN M. LAYUG
PMU, HEAD

RECOMMENDING APPROVAL:
AR. FERDINAND S. VALENCIA
FDMO, DIRECTOR

RECOMMENDING APPROVAL:
DR. MARLON V. GAMIDO
VP ADMIN AND FINANCE

APPROVED BY:
DR. MYRNA C. MALLARI
PRESIDENT

CHECKED:
AR. FERDINAND S. VALENCIA
ARCHITECTURAL

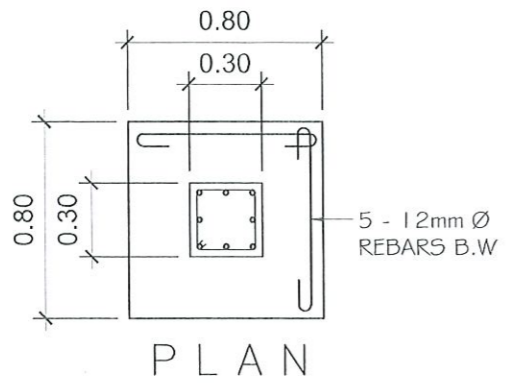
PREPARED:
MR. HILSON D. REYES
DRAFTSMAN

SHEET CONTENTS:
AS SHOWN

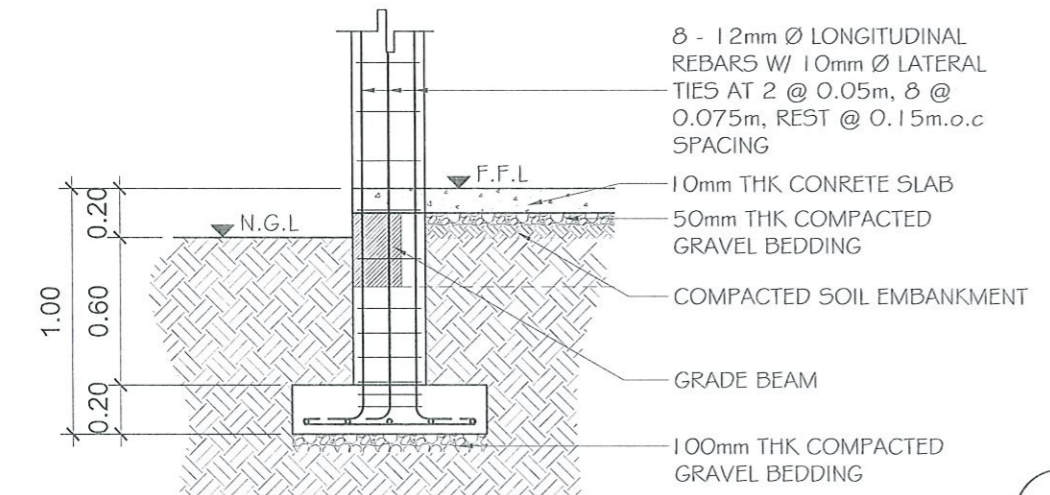
DATE: DECEMBER 2021

SHEET NO:
A-10

PAGE NO:
10/25



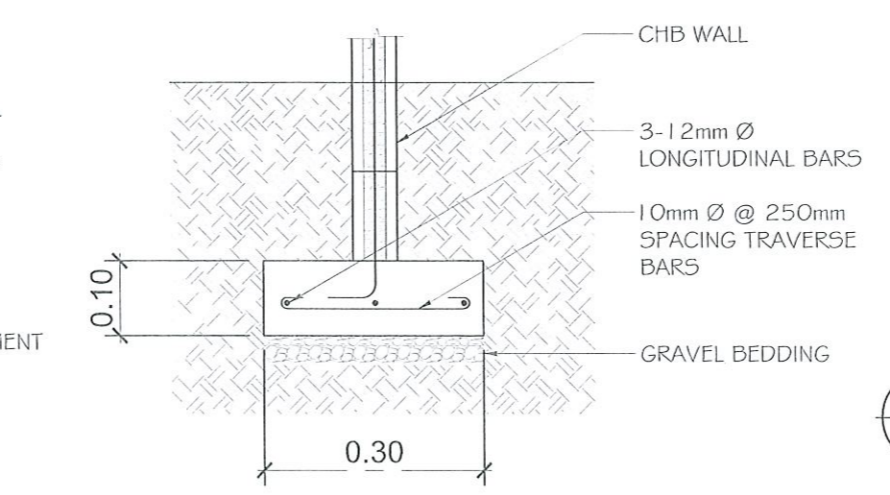
PLAN



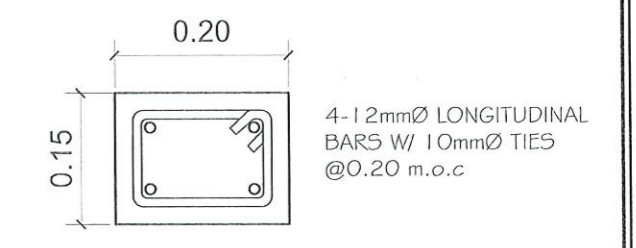
SECTION

COLUMN & FOOTING DETAIL
SCALE 1:30 MTS.

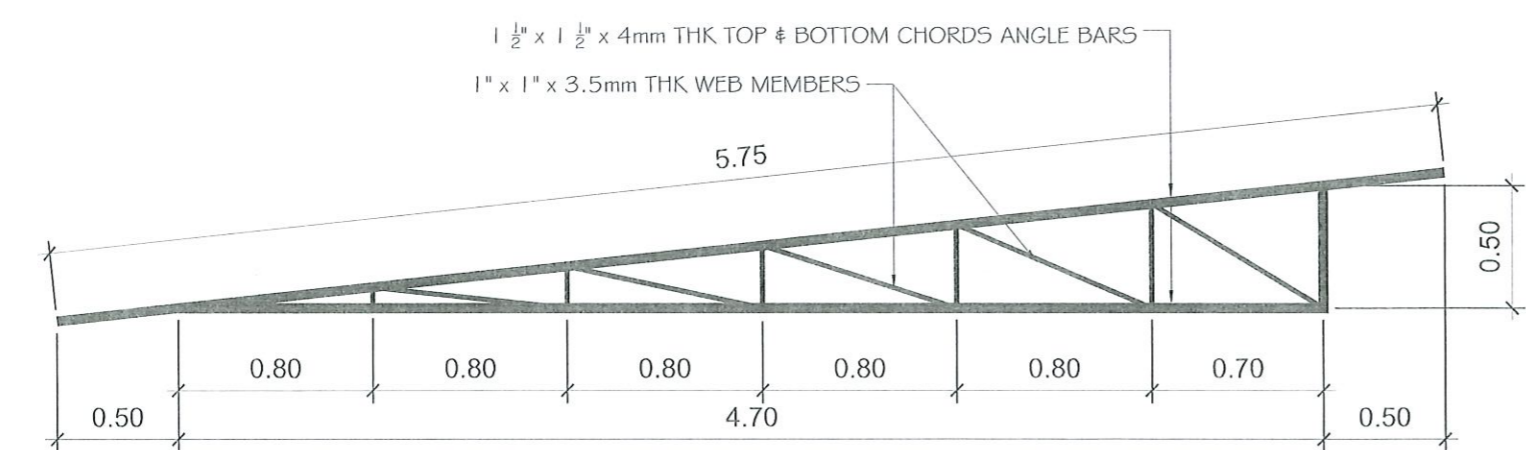
SCHEDULE OF BEAMS					
MARK	DIMENSION (mm)		TOP BARS		SPACING OF STIRRUPS (mm)
	b	d		BOTTOM BARS	
GB	200	300	3-12mm Ø	3-12mm Ø	2 @ 50, 10 @ 100, rest @ 200, SPLICE @ 100
RB	250	350	3-12mm Ø	3-12mm Ø	2 @ 50, 10 @ 100, rest @ 200, SPLICE @ 100



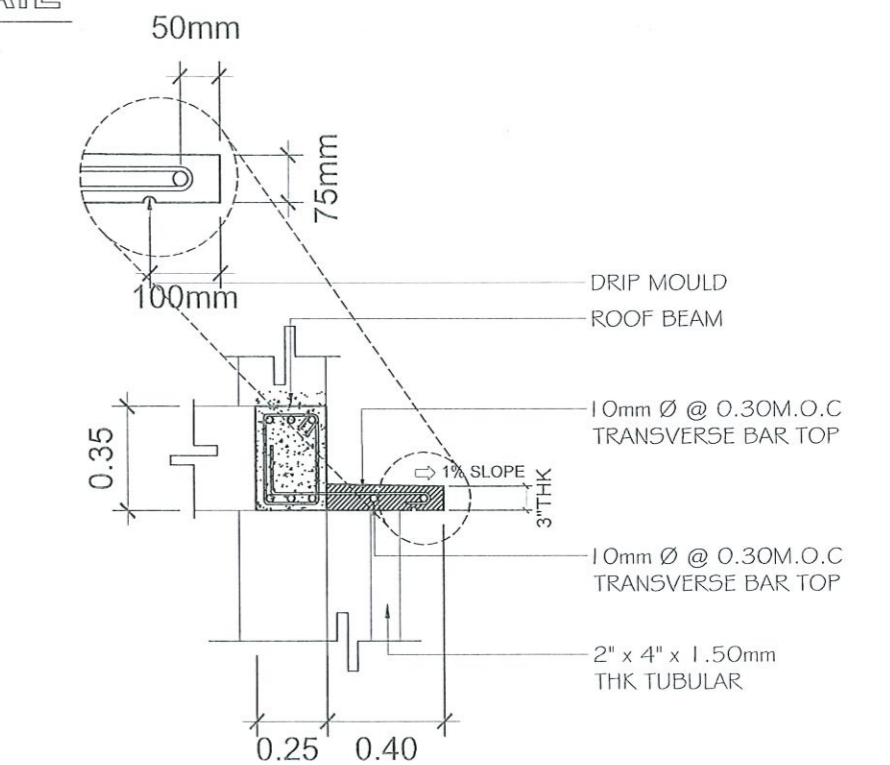
WALL FOOTING DETAIL
SCALE 1:10 MTS.



TYPICAL STIFFENER COLUMN DETAIL
SCALE 1:5 MTS.



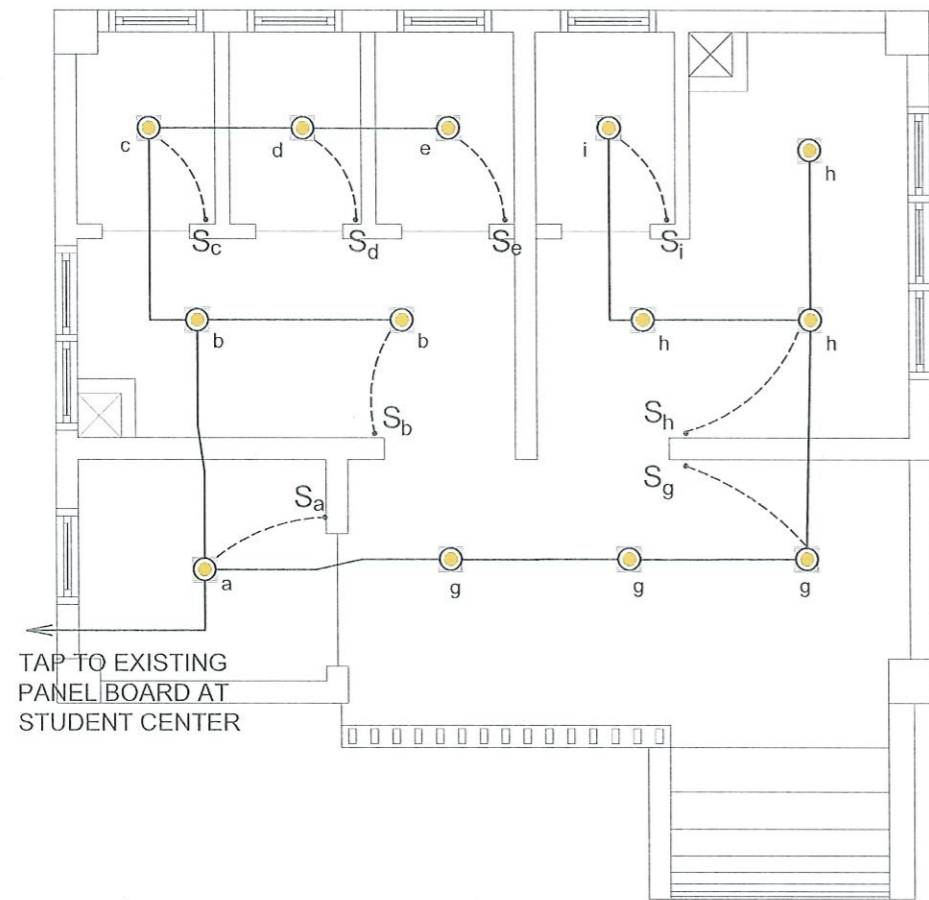
TRUSS DIAGRAM DETAIL
SCALE 1:30 MTS.



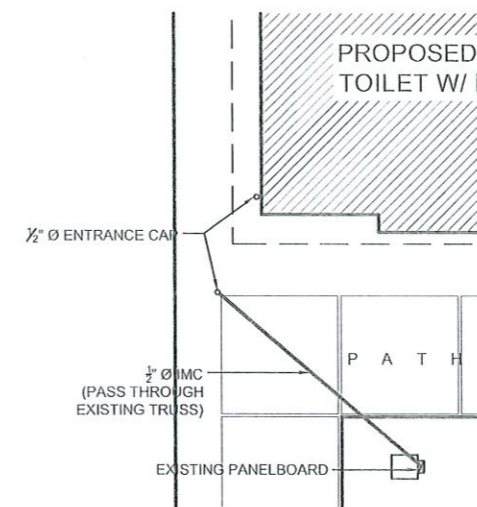
LEDGE DETAIL
SCALE 1:25 MTS.

GENERAL NOTES & SPECIFICATIONS

1. THE ELECTRICAL WORK HEREIN SHALL BE DONE IN ACCORDANCE WITH THESE PLANS AND SPECIFICATIONS APPLICABLE PROVISIONS OF THE LATEST EDITION OF THE PHILIPPINE ELECTRICAL CODE, RULES AND REGULATIONS OF THE LOCAL ENFORCING AUTHORITY AND THE REQUIREMENTS OF THE TEI.
2. POWER SERVICE SHALL SINGLE PHASE 220V, 60Hz AC.
3. THE ELECTRICAL INSTALLATION SHALL BE DONE IN POLYVINYL CONDUIT SCHEDULE 40 THE MINIMUM SIZE OF WHICH IS 15 mm DIAMETER ELECTRICAL TRADE SIZE (FOR EMBEDDED PIPES) AND INTERMEDIATE METAL CONDUIT (FOR RUN EXPOSED).
4. THE WIRE MUST BE COLOR CODED AS FOLLOWS:
LINE 1: BLACK LINE 2: RED
5. ALL WIRES SHALL BE COOPER AND THERMOPLASTIC INSULATED TYPE THHN UNLESS OTHERWISE INDICATED IN PLANS WHEREIN THE MINIMUM SIZE SHALL BE 3.5mm².
6. ANY DISCREPANCY IN LOCATION AND RATING OF ELECTRICAL EQUIPMENT SHALL BE VERIFIED WITH THE OWNER AND CHANGES SHALL BE MADE ACCORDINGLY.
7. ALL MATERIALS TO BE USED SHALL BE BRAND AND NEW MUST BE APPROVED TYPE FOR THE LOCATION AND PURPOSED INTENDED.
8. MOUNTING HEIGHT SHALL BE AS FOLLOWS:
a) LIGHT SWITCH.....1.40 m. above finished floor line
9. ALL ELECTRICAL WORKS SHALL BE DONE UNDER THE IMMEDIATE SUPERVISION OF A DULY LICENSED PROFESSIONAL ELECTRICAL ENGINEER OR REGISTERED ELECTRICAL ENGINEER PRACTITIONER.



LIGHTING LAYOUT
SCALE 1:50 MTS.



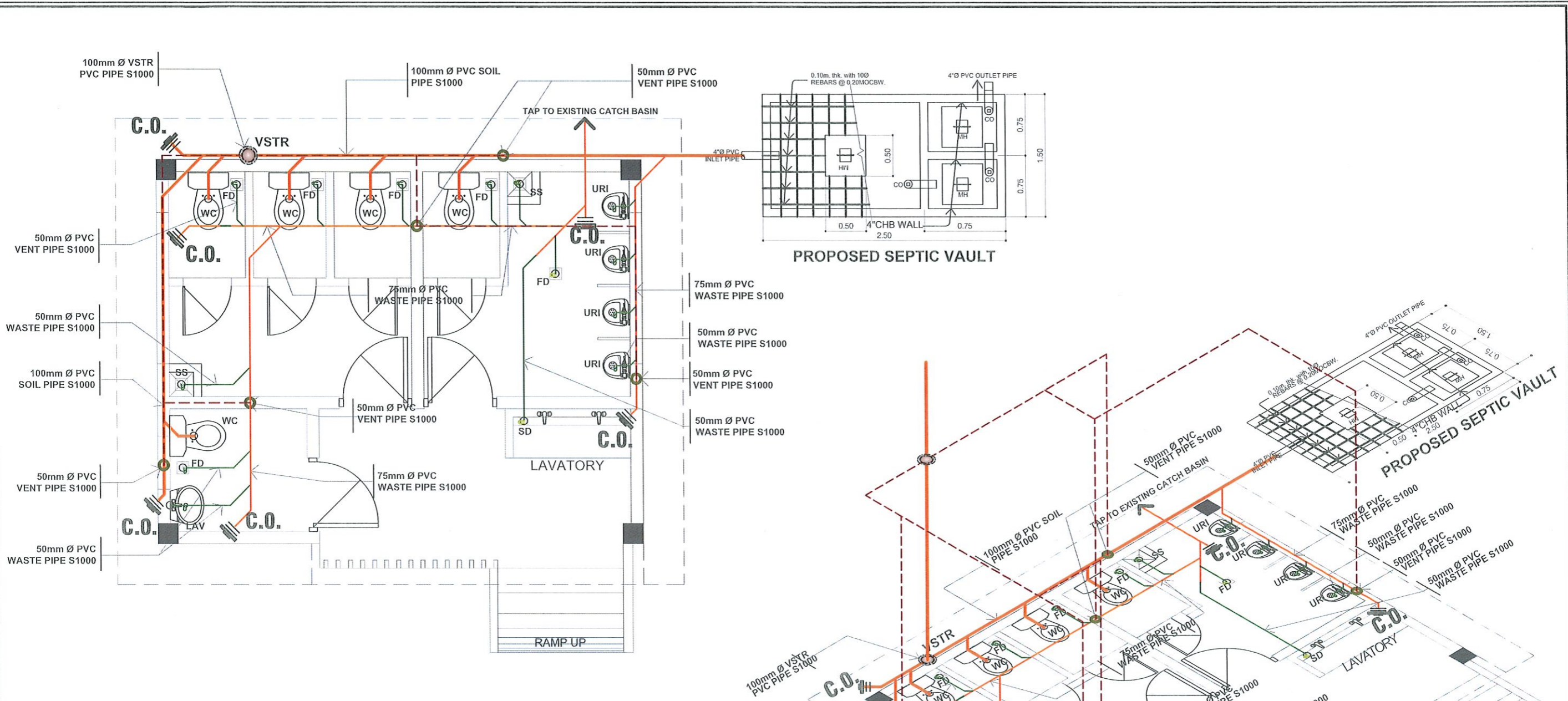
LEGEND	
S _a	ONE GANG SWITCH
●	12W SQUARE LED RECESSED PANEL LIGHT

ELECTRICAL SUPPLY LINE
SCALE NTS.



TARLAC STATE UNIVERSITY
Facilities Development and
Management Office
Romulo Boulevard, Tarlac City, Philippines 2300

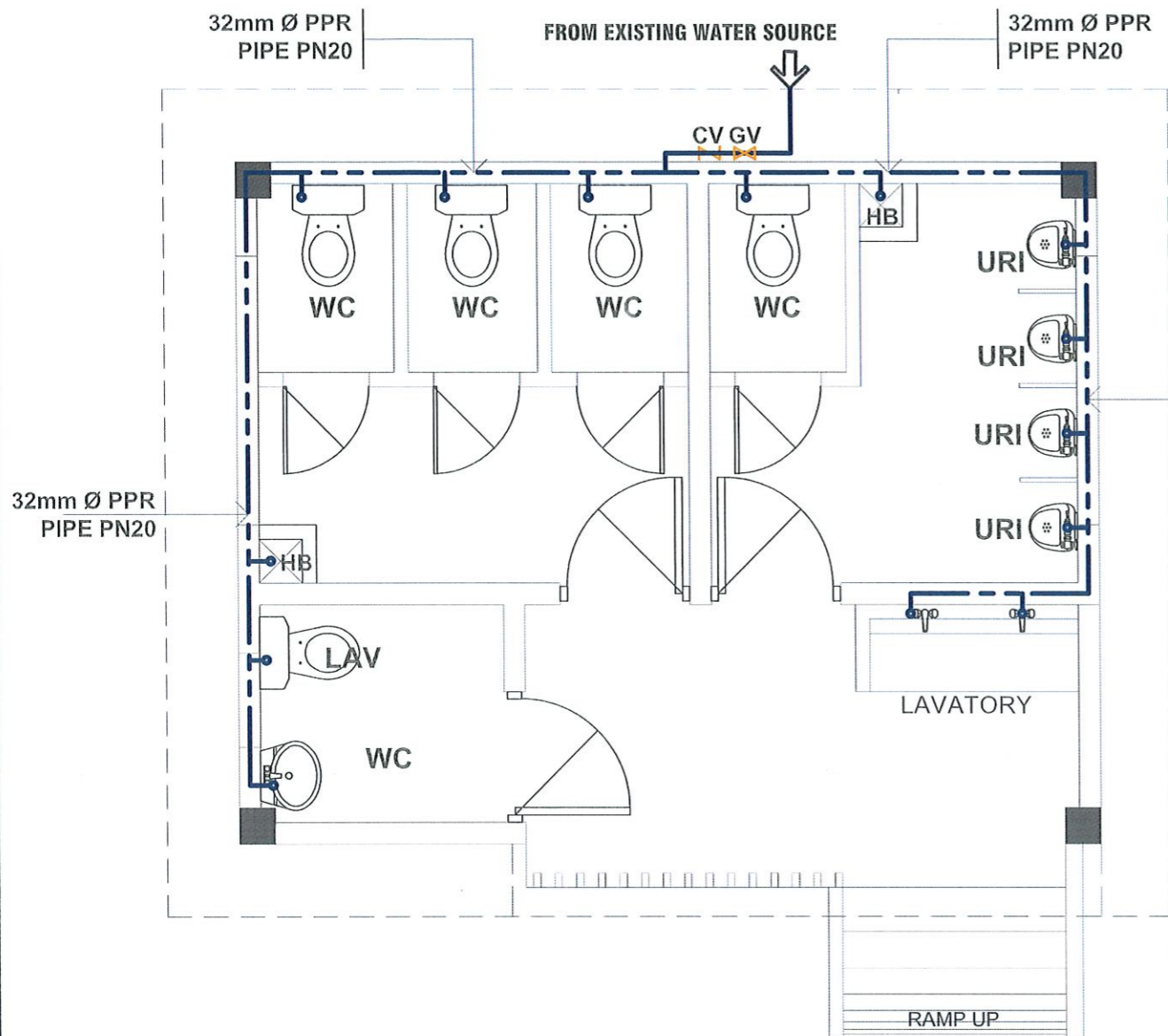
PROJECT TITLE: CONSTRUCTION OF CET STUDENT & PWD COMFORT ROOM AND REFURBISHMENT OF COS GROUND FLOOR FEMALE & PWD COMFORT ROOM	REQUESTING OFFICE: DR. MIRIAM S. GALVEZ DEAN, CET	CHECKED BY: ENGR. RYAN M. LAYUG FDMO-PMU, HEAD	RECOMMENDING APPROVAL: AR. FERDINAND S. VALENCIA FMDO, DIRECTOR	RECOMMENDING APPROVAL: DR. MARLON V. GAMIDO VP ADMIN AND FINANCE	APPROVED BY: DR. MYRNA Q. MALLARI PRESIDENT	CHECKED: ENGR. CRISPIN L. FLORA ELECTRICAL	SHEET CONTENTS: AS SHOWN	SHEET NO: E-01
PROJECT LOCATION: TARLAC STATE UNIVERSITY COLLEGE OF ENGINEERING AND TECHNOLOGY, MAIN CAMPUS						PREPARED: ENGR. MISAEL REIGH MIEL V. CABANSAG ELECTRICAL ENGINEER	DATE: DECEMBER 2021	PAGE NO: 14/25



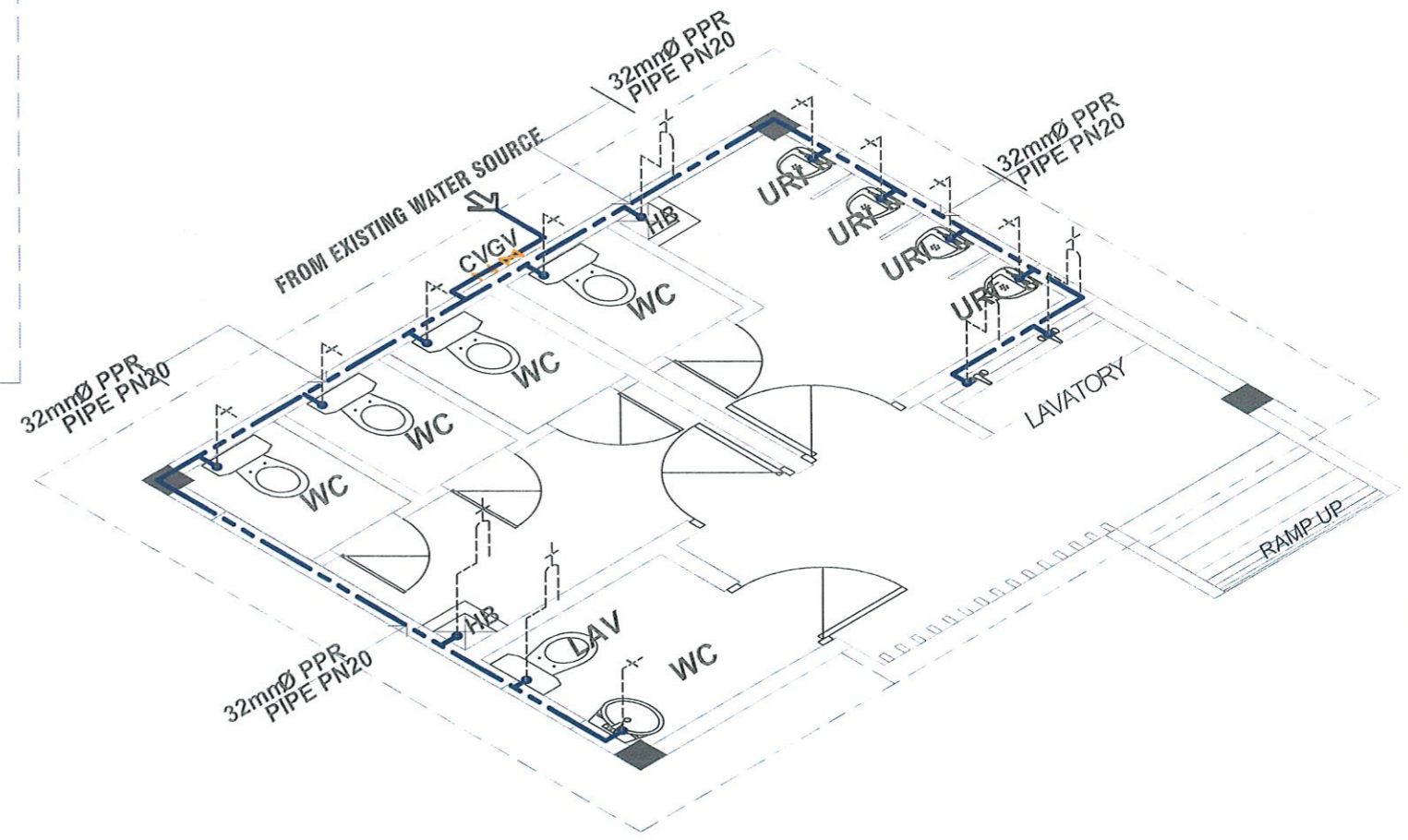
SANITARY LINE LAYOUT
SCALE 1:50 MTS.

SANITARY LINE ISOMETRIC LAYOUT
SCALE 1:50 MTS.

<p>TARLAC STATE UNIVERSITY Facilities Development and Management Office Romulo Boulevard, Tarlac City, Philippines 2300</p>	PROJECT TITLE:	REQUESTING OFFICE:	CHECKED BY:	RECOMMENDING APPROVAL:	RECOMMENDING APPROVAL:	APPROVED BY:	CHECKED:	SHEET CONTENTS:	SHEET NO:
	CONSTRUCTION OF CET STUDENT & PWD COMFORT ROOM AND REFURBISHMENT OF COS GROUND FLOOR FEMALE & PWD COMFORT ROOM	DR. WILLIAM S. GALVEZ DEAN, CET	ENGR. RYAN M. LAYUG IDMO-PMU, HEAD	DR. FERDINAND S. VALENCIA FMDO, DIRECTOR	DR. MARLON V. GAMIDO VP ADMIN AND FINANCE	DR. MYRMA Q. MALLARI PRESIDENT	ENGR. RYAN M. LAYUG PLUMBING	AS SHOWN	P-01
	PROJECT LOCATION:						PREPARED BY:	DATE:	PAGE NO:
	TARLAC STATE UNIVERSITY COLLEGE OF ENGINEERING AND TECHNOLOGY, MAIN CAMPUS						MR. WILLIAM S. GALVEZ CRAFTSMAN	DECEMBER 2021	15/25

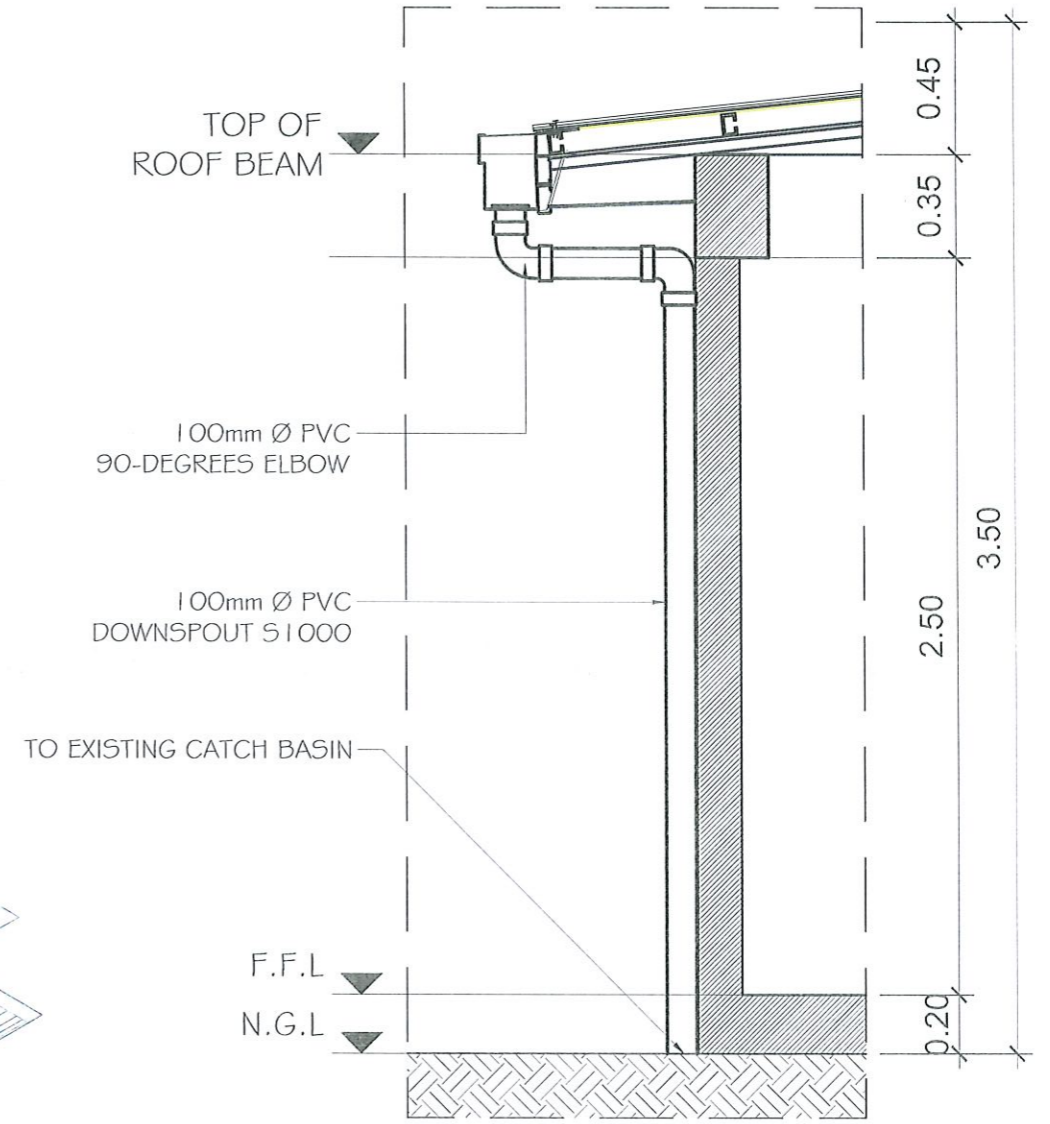
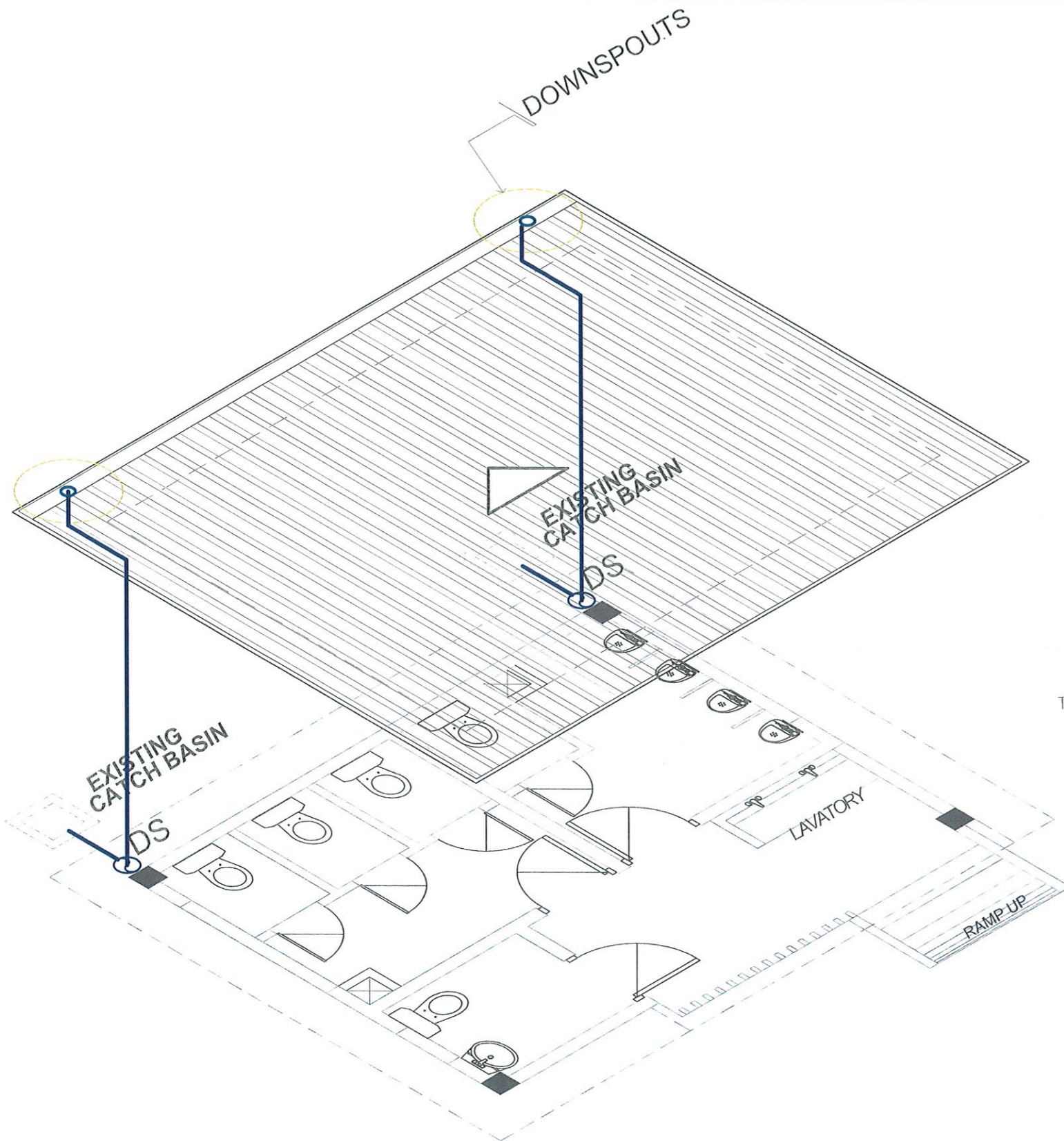


WATER LINE LAYOUT
SCALE 1:50 MTS.



WATER LINE ISOMETRIC LAYOUT
SCALE 1:35 MTS.

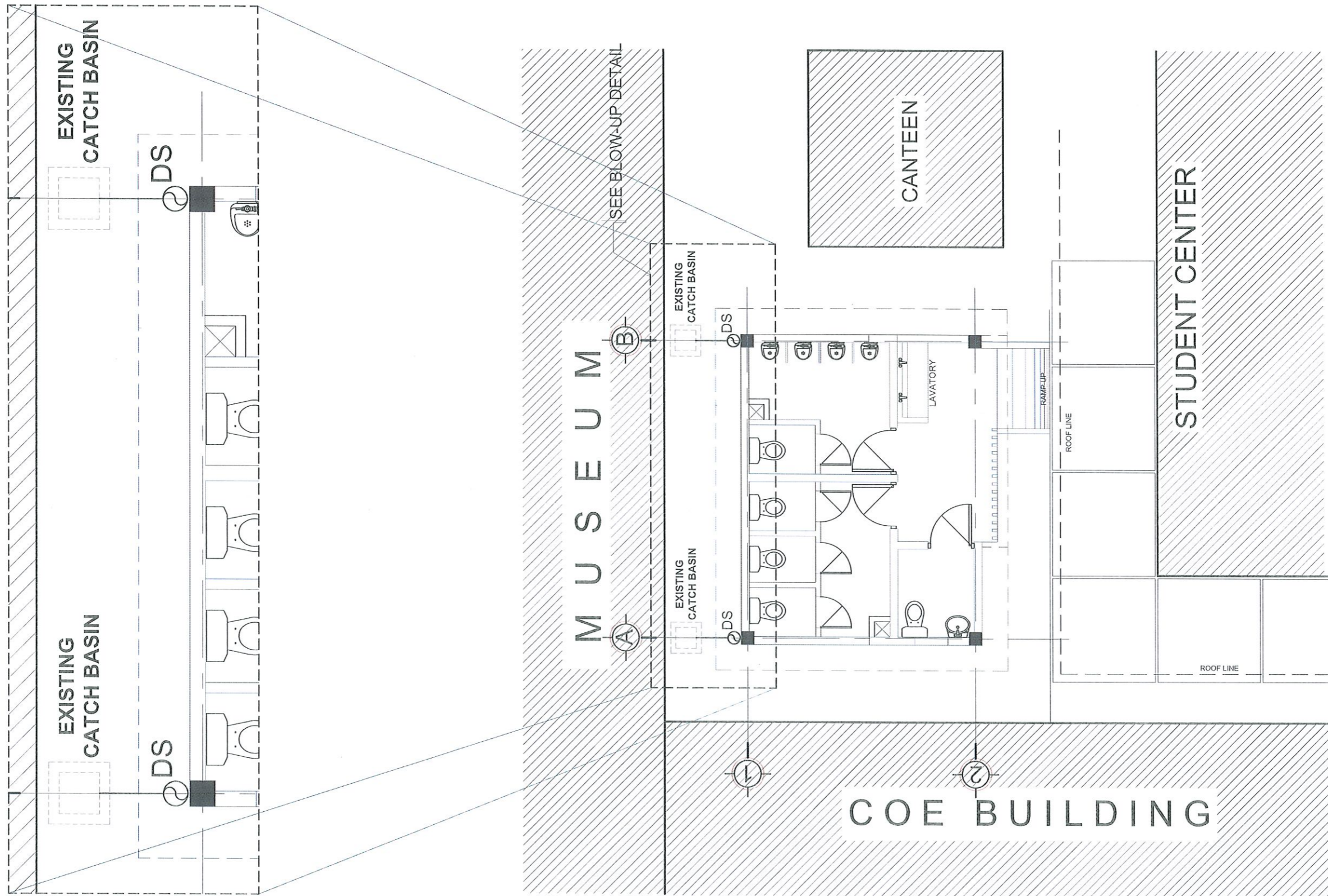
<p>TARLAC STATE UNIVERSITY Facilities Development and Management Office Romulo Boulevard, Tarlac City, Philippines 2300</p>	PROJECT TITLE:	REQUESTING OFFICE:	CHECKED BY:	RECOMMENDING APPROVAL:	RECOMMENDING APPROVAL:	APPROVED BY:	CHECKED:	SHEET CONTENTS:	SHEET NO:
	CONSTRUCTION OF CET STUDENT & PWD COMFORT ROOM AND REFURBISHMENT OF COS GROUND FLOOR FEMALE & PWD COMFORT ROOM	DR. MIRIAM S. GALVEZ DEAN, CET	ENGR. RYAN M. LAYUG FOMO-PMU, HEAD	AR. FERDINAND S. VALENCIA FMO, DIRECTOR	DR. MARLON V. GAMIDO VP ADMIN AND FINANCE	DR. MYRNA Q. MALLARI PRESIDENT	ENGR. RYAN M. LAYUG PLUMBING	AS SHOWN	P-02
PROJECT LOCATION:	TARLAC STATE UNIVERSITY COLLEGE OF ENGINEERING AND TECHNOLOGY, MAIN CAMPUS						PREPARED BY:	DATE: DECEMBER 2021	PAGE NO: 16/25
							MR. G. J. B. CALIWA DRAFTSMAN		



STORM DRAINAGE ISOMETRIC LAYOUT
SCALE 1:80 MTS.

DOWNSPOUT SECTION LAYOUT
SCALE 1:25 MTS.

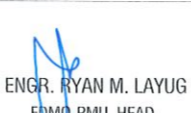
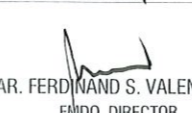
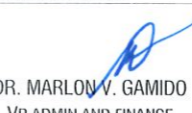

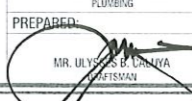
TARLAC STATE UNIVERSITY Facilities Development and Management Office Romulo Boulevard, Tarlac City, Philippines 2300	PROJECT TITLE: CONSTRUCTION OF CET STUDENT & PWD COMFORT ROOM AND REFURBISHMENT OF COS GROUND FLOOR FEMALE & PWD COMFORT ROOM	REQUESTING OFFICE: DR. MIRIAM O. GALVEZ DEAN, CET	CHECKED BY: ENGR. RYAN M. LAYUG FDMO-PMU, HEAD	RECOMMENDING APPROVAL: AR. FERDINAND S. VALENCIA FDMO, DIRECTOR	RECOMMENDING APPROVAL: DR. MARLON V. GAMIDO VP ADMIN AND FINANCE	APPROVED BY: DR. MYRNA O. MALLARI PRESIDENT	CHECKED: ENGR. RYAN M. LAYUG PLUMBING	SHEET CONTENTS: AS SHOWN	SHEET NO: P-03
	PROJECT LOCATION: TARLAC STATE UNIVERSITY COLLEGE OF ENGINEERING AND TECHNOLOGY, MAIN CAMPUS						PREPARED BY: MR. JAMES B. CANAZA DRAFTSMAN	DATE: DECEMBER 2021	PAGE NO: 17/25

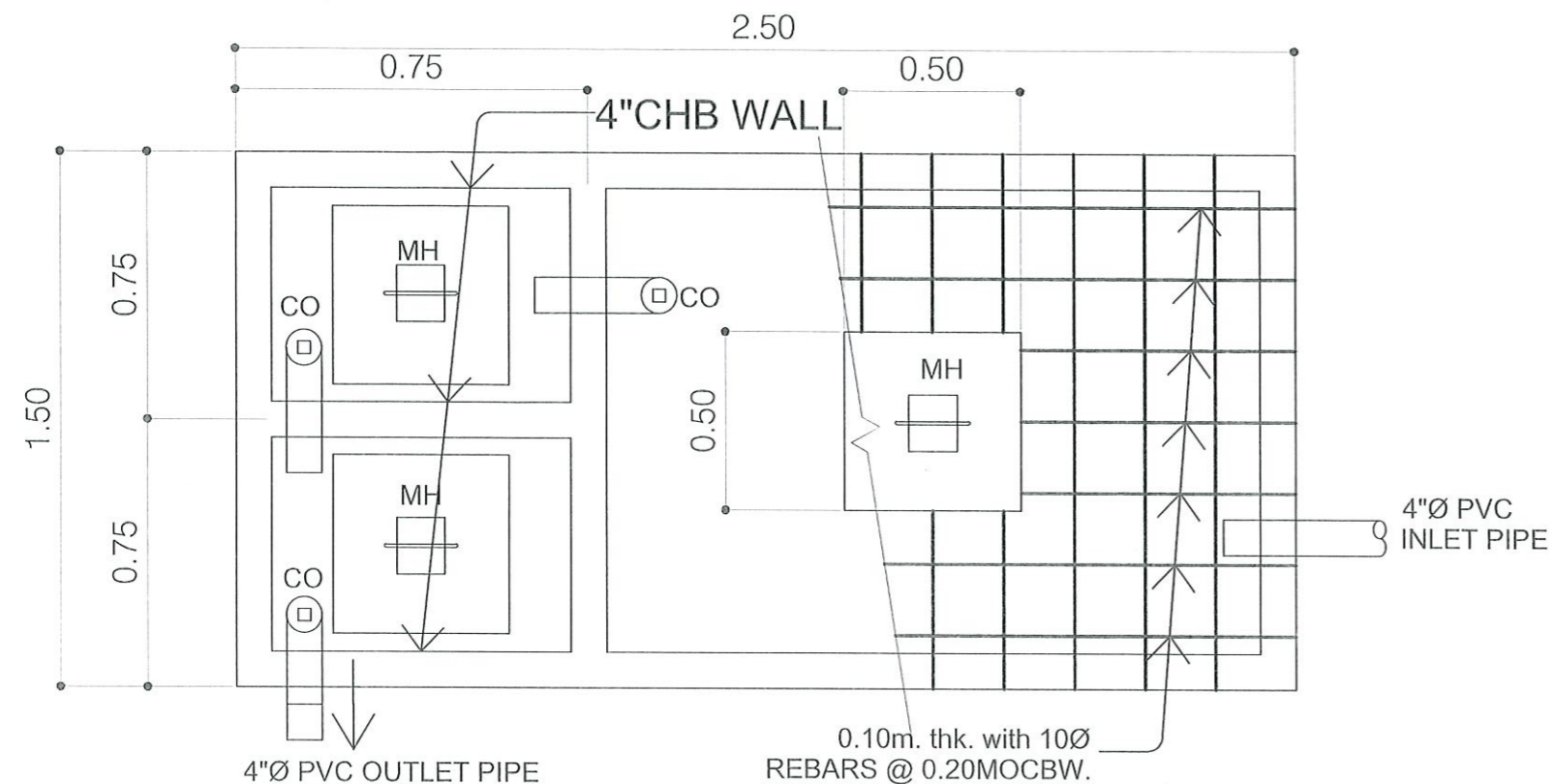



STORM DRAINAGE BLOW-UP PLAN
 SCALE 1:40 MTS.

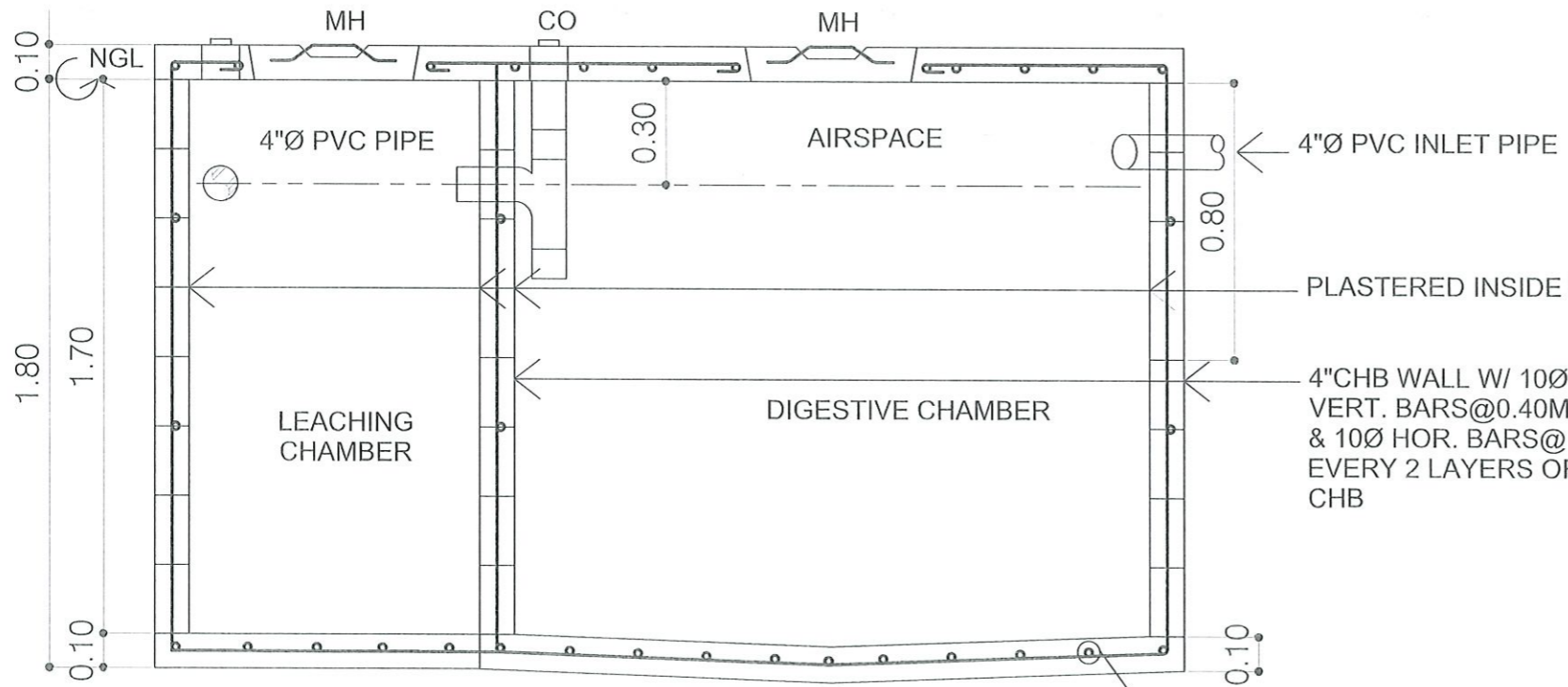

STORM DRAINAGE KEY PLAN
 SCALE 1:80 MTS.



PROJECT TITLE: CONSTRUCTION OF CET STUDENT & PWD COMFORT ROOM AND REFURBISHMENT OF COS GROUND FLOOR FEMALE & PWD COMFORT ROOM	REQUESTING OFFICE: DR. MIRIAM S. GALVEZ DEAN, CET	CHECKED BY:  ENGR. RYAN M. LAYUG FMO-PMU, HEAD	RECOMMENDING APPROVAL:  AR. FERDINAND S. VALENCIA FMO, DIRECTOR	RECOMMENDING APPROVAL:  DR. MARLON V. GAMIDO VP ADMIN AND FINANCE	APPROVED BY:  DR. MYRNA C. MALLARI PRESIDENT	CHECKED: ENGR. RYAN M. LAYUG FMO-PMU	SHEET CONTENTS: AS SHOWN	SHEET NO: P-04
PROJECT LOCATION: TARLAC STATE UNIVERSITY COLLEGE OF ENGINEERING AND TECHNOLOGY, MAIN CAMPUS						PREPARED:  MR. ULYSSES B. CANARA PROFESSOR	DATE: DECEMBER 2021	PAGE NO: 18/25



PLAN



SEPTIC TANK DETAIL
SCALE 1:20 MTS.

GENERAL NOTES

- GRADE OF THE HORIZONTAL PIPING:**
RUN ALL HORIZONTAL PIPING IN PERFECT ALIGNMENT AT THE UNIFORM GRADE OF NOT LESS THAN (2%).
- CHANGES IN DIRECTION:**
ALL CHANGES IN DIRECTION SHALL BE MADE BY THE APPROPRIATE USE OF 45° WYE, LONG SWEEP QUATER BEND, SIXTH, EIGHT, OR SIXTEENTH BENDS, WHEN THE CHANGE OF FLOW IS FROM HORIZONTAL TO VERTICAL. A SINGLE 1/8 BEND COMBINATION MAY BE USED ON WASTE, LINES, TEES AND CROSSES MAY BE USED ON VENT PIPES.
- PROHIBITED FITTINGS:**
NO DOUBLE TEE BRANCHES SHALL BE USED ON HORIZONTAL SOIL OR WASTE LINES, DRILLING & TRAPPINGS OF HOUSE DRAINS, WASTE OR VENT PIPES AND USE OF SADDLE HUB AND BENDS ARE PROHIBITED.
- SLEEVES:**
PROVIDE THE PIPE SLEEVES AT WALLS, COLUMNS OR SLAB ON SIZED BIGGER THAN THE ACTUAL SIZE OF THE PIPE PASSING THROUGH WALLS OR UNDER SLABS TO PROTECT PIPES FROM BREAKAGE.
- PIPES CLEANOUTS:**
CLEANOUTS ARE REQUIRED UNDER THE FOLLOWING CONDITIONS:
A. EVERY CHANGE IN HORIZONTAL DIRECTION EXCEEDING TWENTY - TWO AND HALF DEGREES (22 1/2°).
- DEAD ENDS AVOIDED:**
IN THE INTALLATIONS OF PLUMING SYSTEM DEAD ENDS SHALL BE AVOIDED.
- ALL PLUMBING WORKS:**
ALL PLUMBING WORKS SHALL BE DONE IN ACCORDANCE WITH THE PROVISIONS OF THE NATIONAL PLUMBING CODE, REQUIREMENTS OF THE PLUMBING INSPECTION OFFICE AND PERTINENT PROVISIONS OF THE NATIONAL BUILDING CODE.

LEGEND:

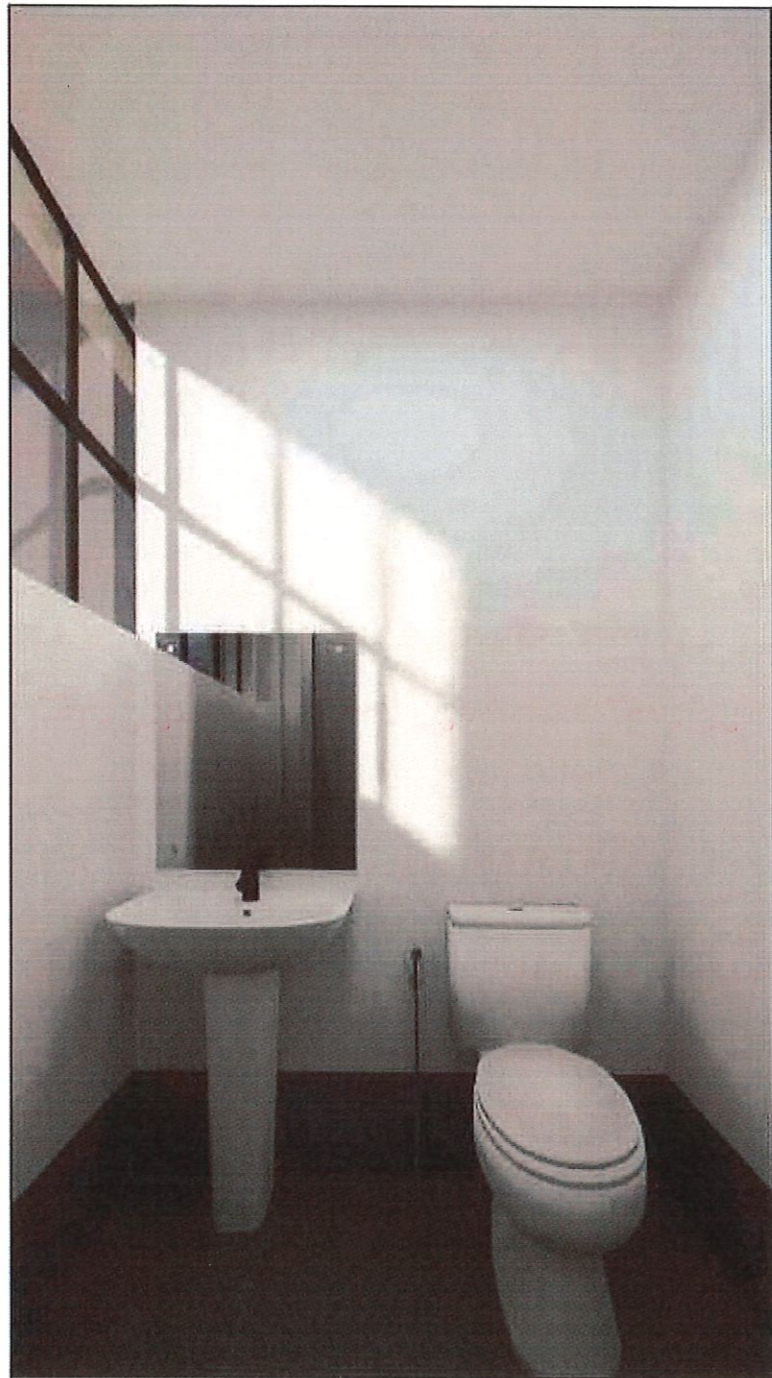
GV	GATE VALVE	SS	SLOP SINK
WM	WATER METER	CO	CLEANOUT
CV	CHECK VALVE	VSTR	VENT STACK THRU ROOF
WC	WATER CLOSET	PVC	POLYVINYL CHLOURIDE
LAV	LAVATORY	CWL	COLD WATER LINE
FD	FLOOR DRAIN	CB	CATCH BASIN
F	FAUCET	S.T.	SEPTIC TANK
HB	HOSEBIB	MH	MANHOLE



PROJECT TITLE: CONSTRUCTION OF CET STUDENT & PWD COMFORT ROOM AND REFURBISHMENT OF COS GROUND FLOOR FEMALE & PWD COMFORT ROOM	REQUESTING OFFICE: DR. MIRIAM GALVEZ DEAN, CET	CHECKED BY: ENGR. RYAN M. LAYUG FDMO-PMU, HEAD	RECOMMENDING APPROVAL: AR. FERDINAND S. VALENCIA FDMO, DIRECTOR	RECOMMENDING APPROVAL: DR. MARLON V. GAMIDO VP ADMIN AND FINANCE	APPROVED BY: DR. MYRNA C. MALLARI PRESIDENT	CHECKED: ENGR. RYAN M. LAYUG PLUMBING	SHEET CONTENTS: AS SHOWN	SHEET NO: P-05
PROJECT LOCATION: TARLAC STATE UNIVERSITY COLLEGE OF ENGINEERING AND TECHNOLOGY, MAIN CAMPUS						PREPARED: MR. LUIS P. CALDAYA PLUMBING	DATE: DECEMBER 2021	PAGE NO: 19/25

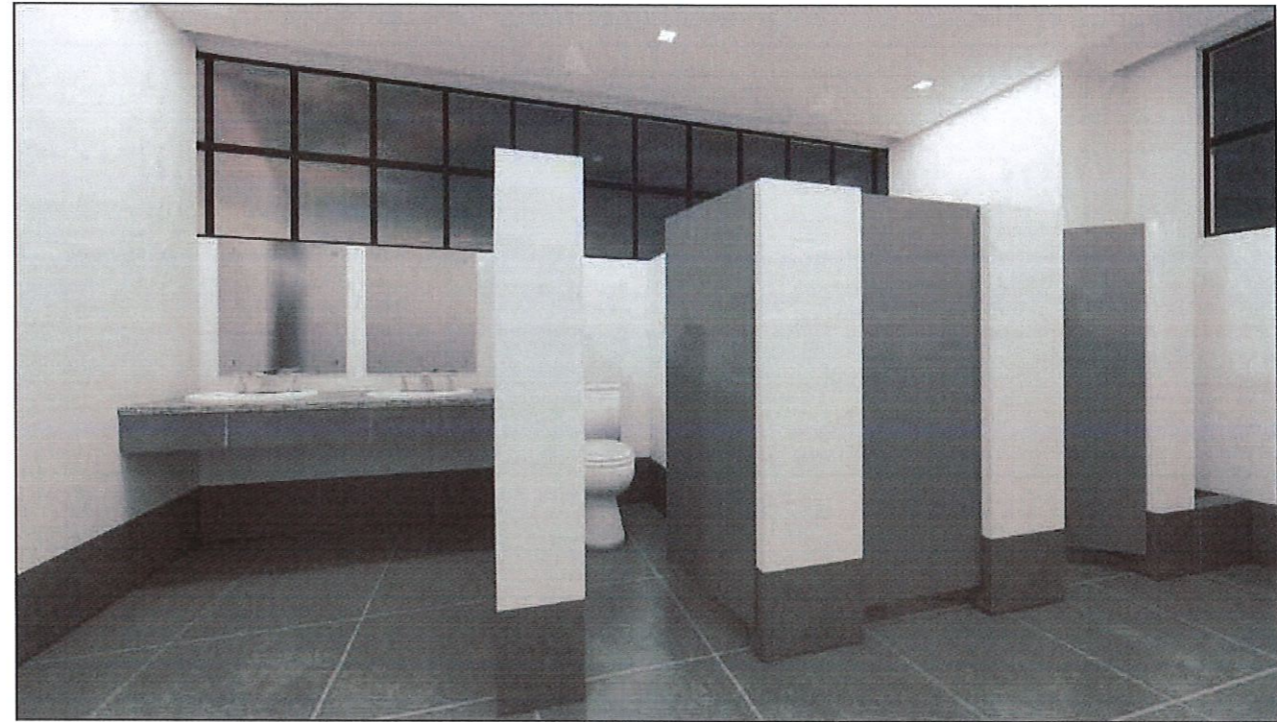
**REFURBISHMENT OF COS
GROUND FLOOR FEMALE &
PWD COMFORT ROOM**

**COLLEGE OF SCIENCE,
LUCINDA EXTENSION CAMPUS**



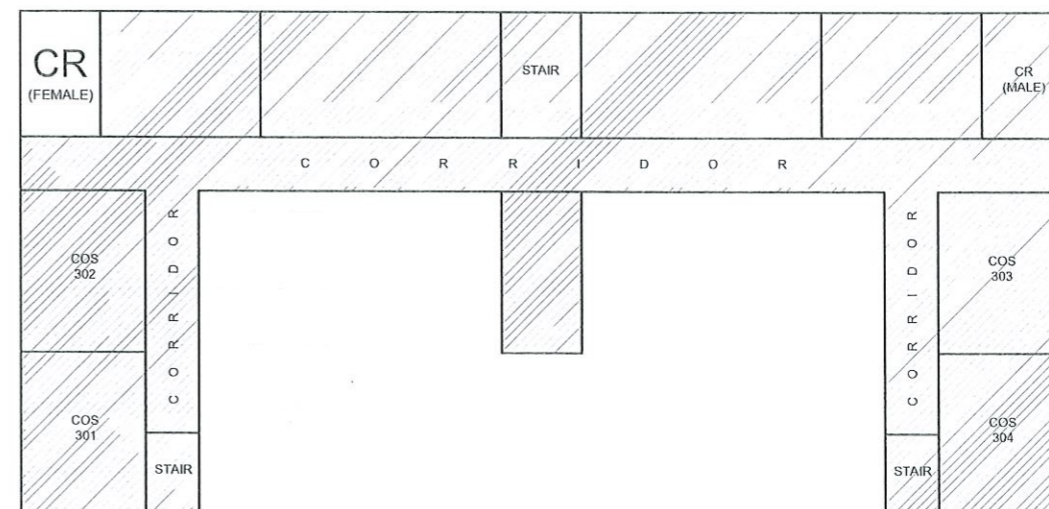
INTERIOR PERSPECTIVE
(P W D T O I L E T)

SCALE: NTS.



INTERIOR PERSPECTIVE
(F E M A L E C O M F O R T R O O M)

SCALE: NTS.



COS GROUND FLOOR KEY PLAN

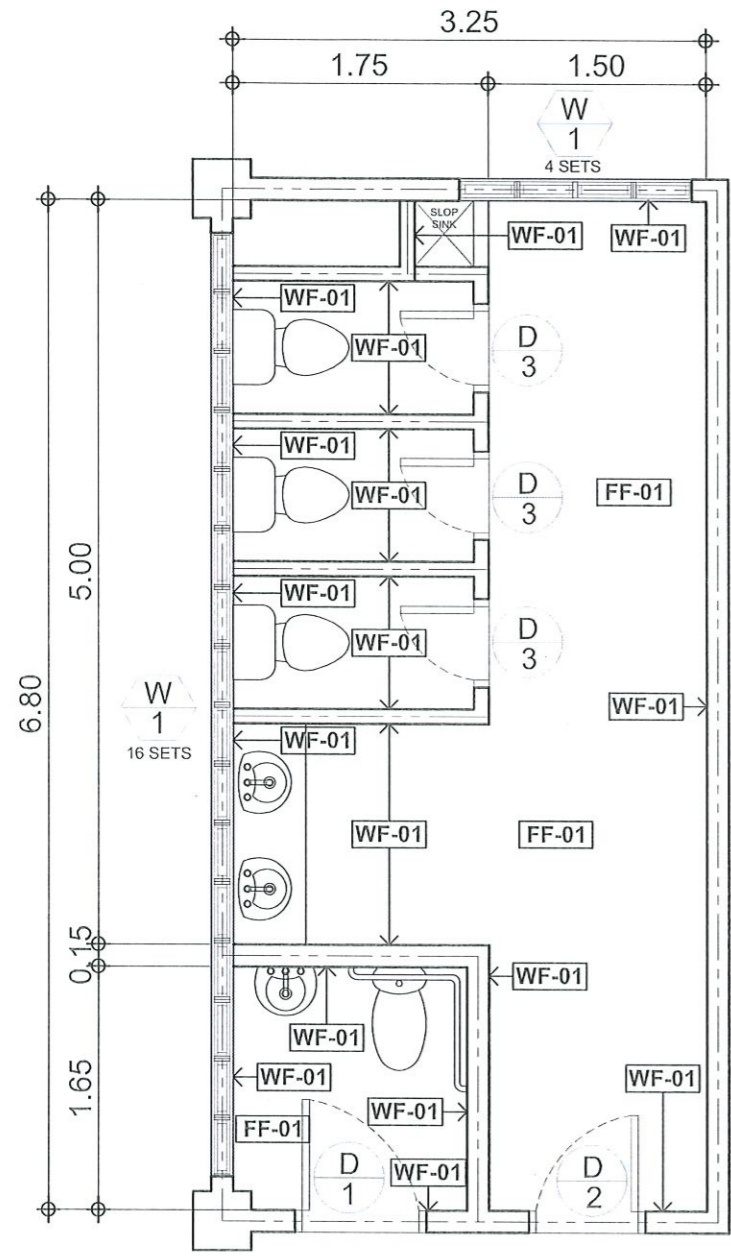
SCALE: NTS.



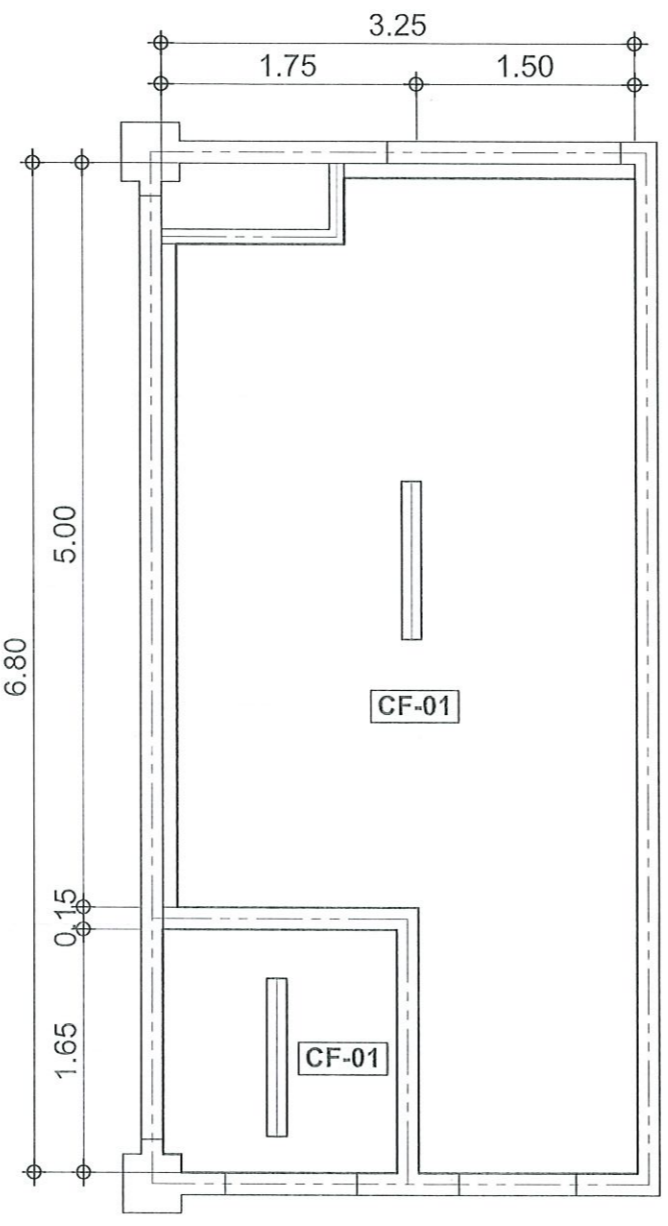
TARLAC STATE UNIVERSITY
Facilities Development and
Management Office
Romulo Boulevard, Tarlac City, Philippines 2300

PROJECT TITLE: CONSTRUCTION OF CET STUDENT & PWD COMFORT ROOM AND REFURBISHMENT OF COS GROUND FLOOR FEMALE & PWD COMFORT ROOM	REQUESTING OFFICE: PROF. MARY JANE N. RIGOR DIAN COS	CHECKED BY: ENGR. RYAN M. LAYUG PMU, HEAD	RECOMMENDING APPROVAL: AR. FERDINAND S. VALENCIA FDMO, DIRECTOR	RECOMMENDING APPROVAL: DR. MARLON V. GAMIDO VP ADMIN AND FINANCE	APPROVED BY: DR. MYRNA O. MALLARI PRESIDENT	CHECKED: AR. FERDINAND S. VALENCIA ARCHITECTURAL	SHEET CONTENTS: AS SHOWN	SHEET NO: A-12
PROJECT LOCATION: TARLAC STATE UNIVERSITY COLLEGE OF SCIENCE, LUCINDA EXTENSION CAMPUS						PREPARED: MS. CHRISTINE DIAMNE V. PEREZ DRAFTSMAN	DATE: DECEMBER 2021	PAGE NO: 20/25

NOTE: VERIFY ON SITE THE EXISTING CONDITION OF COMFORT ROOM.



EXISTING FLOOR PLAN
SCALE: 1:50 MTS.



EXISTING CEILING PLAN
SCALE: 1:50 MTS.

CL	CL	CL	CL
0.40	0.90	0.80	1.50
1.00	2.10	2.10	1.50
FFL	FFL	FFL	FFL
W 1	D 1	D 2	D 3
20 SETS	1 SET	1 SET	3 SETS
STEEL AWNING WINDOWS	WOODEN PANEL DOOR	WOODEN PANEL DOOR	WOODEN CUBICLE DOOR

EXISTING SCHEDULE OF DOORS & WINDOWS
SCALE: 1:60 MTS.

SITE INSTRUCTION:

1. PROVIDE TEMPORARY BARRICADE/COVER WITHIN THE CONSTRUCTION AREA/ROOM BY USING PLYWOOD WITH STABLE FRAME. DO NOT USE "BLUE SACK".
2. KEEP THE HALLWAY ALWAYS ACCESSIBLE FOR THE STAFF/STUDENTS DURING CONSTRUCTION.
3. PROVIDE SAFETY SIGNAGE.

LEGEND :

WF-01	CHB WALL WITH TILES @1.60m HEIGHT	WF-03	CHB/CONCRETE WALL	FF-01	NON-SKID TILES	FF-03	NATURAL GROUND	CF-01	CEILING BOARD	CF-03	EXPOSED CONCRETE CEILING
WF-02	CHB WALL WITH TILES @1.50m HEIGHT	WF-04	CHB WALL WITH TILES @1.80m HEIGHT	FF-02	PLAIN CEMENT FINISH		1 - FLUORESCENT LIGHT	CF-02	EAVES CEILING		



PROJECT TITLE:
CONSTRUCTION OF CET STUDENT & PWD COMFORT ROOM AND REFURBISHMENT OF COS GROUND FLOOR FEMALE & PWD COMFORT ROOM

PROJECT LOCATION:
TARLAC STATE UNIVERSITY
COLLEGE OF SCIENCE, LUCINDA EXTENSION CAMPUS

REQUESTING OFFICE:
PROF. MARY JANE N. RIGOR
DEAN, COS

CHECKED BY:
ENGR. RYAN M. LAYUG
PMU, HEAD

RECOMMENDING APPROVAL:
AR. FERDINAND S. VALENCIA
FOMO, DIRECTOR

RECOMMENDING APPROVAL:
DR. MARLON V. GAMIDO
VP ADMIN AND FINANCE

APPROVED BY:
DR. MYRNA Q. MALLARI
PRESIDENT

CHECKED:
AR. FERDINAND S. VALENCIA
ARCHITECTURAL

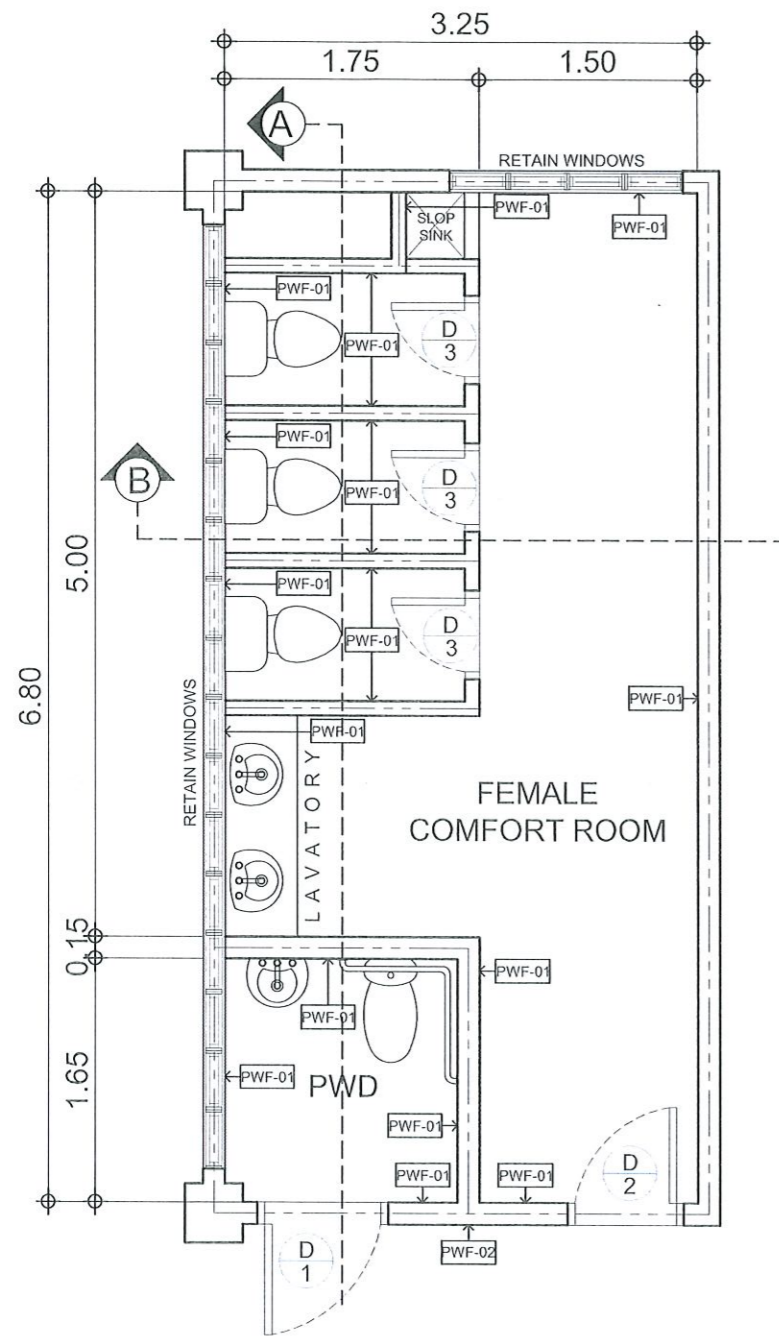
PREPARED:
MS. CHRISTINE DIAMNE V. [Signature]
DRAFTSMAN

SHEET CONTENTS:
AS SHOWN

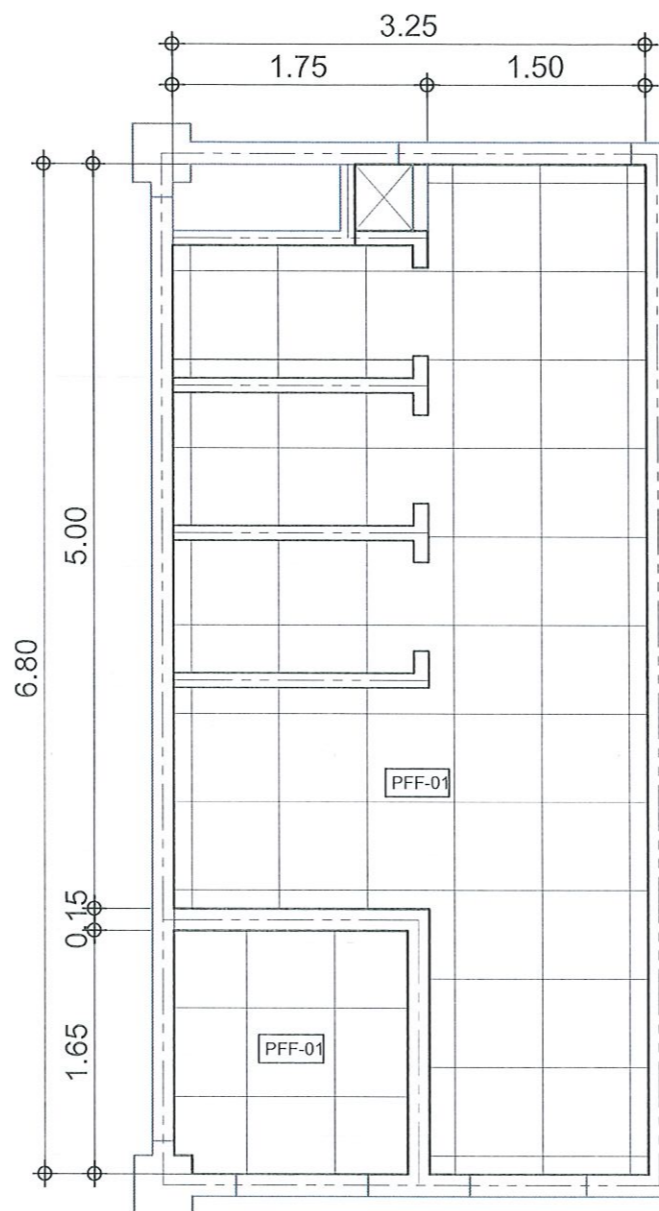
DATE: DECEMBER 2021

SHEET NO:
A-13

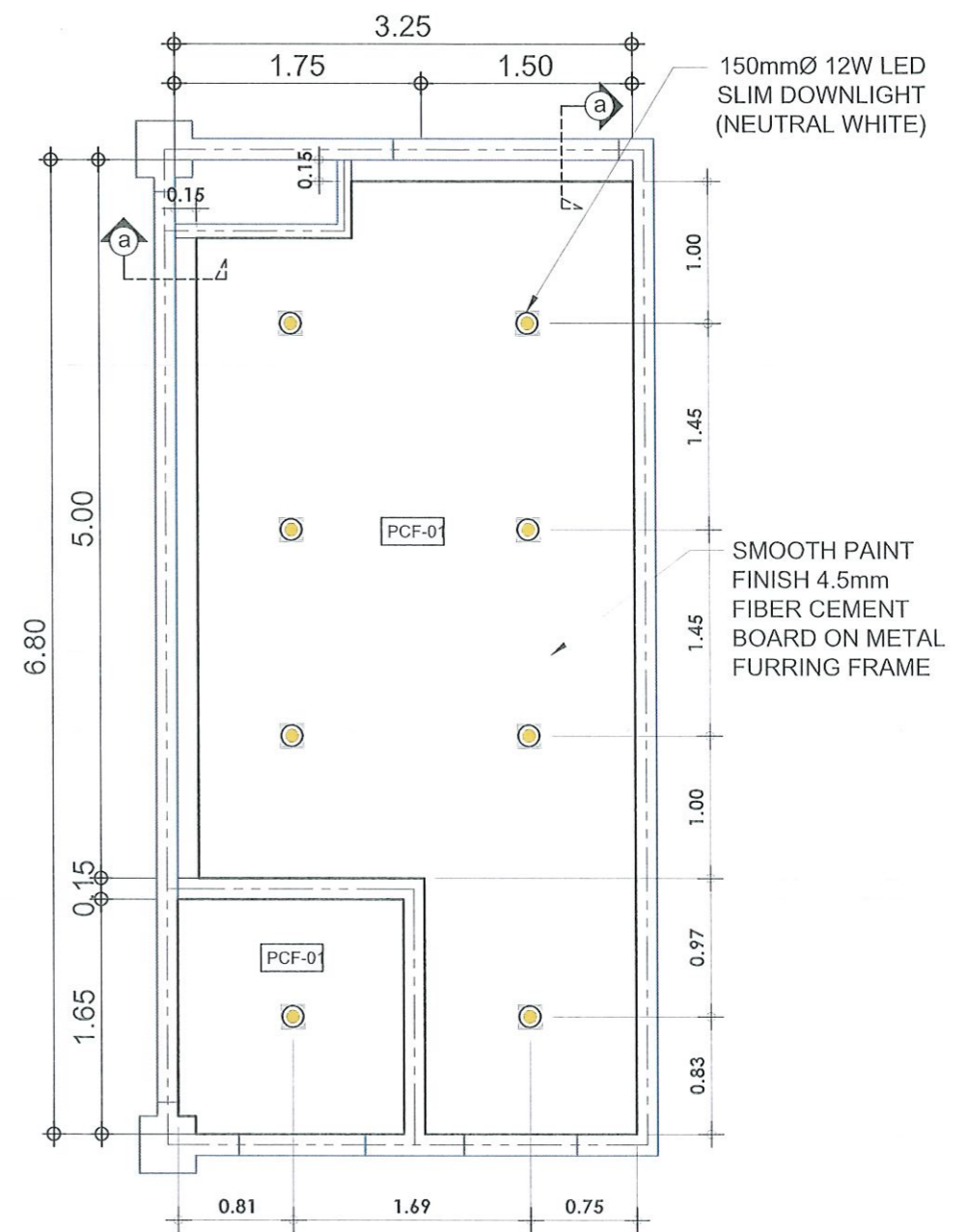
PAGE NO:
21/25



PROPOSED FLOOR PLAN
SCALE: 1:50 MTS.



PROPOSED FLOOR FINISH LAYOUT
SCALE: 1:50 MTS.



PROPOSED REFLECTED CEILING PLAN
SCALE: 1:50 MTS.

PROPOSED WALL FINISH:		PROPOSED FLOOR FINISH		PROPOSED CEILING FINISH	
PWF-01	SMOOTH PAINT FINISH CHB WALL (OFF WHITE) WITH 30X60 CM. PORCELAIN TILES @1.60m HEIGHT	PFF-01	60X60 CM. NON-SKID PORCELAIN TILES (GRAY)	PCF-01	SMOOTH PAINT FINISH 4.5mm THK CEMENT BOARD (OFF WHITE)
PWF-02	SMOOTH PAINT FINISH CHB WALL				



TARLAC STATE UNIVERSITY
Facilities Development and Management Office
Romulo Boulevard, Tarlac City, Philippines 2300

PROJECT TITLE:
CONSTRUCTION OF CET STUDENT & PWD COMFORT ROOM AND REFURBISHMENT OF COS GROUND FLOOR FEMALE & PWD COMFORT ROOM

PROJECT LOCATION:
TARLAC STATE UNIVERSITY
COLLEGE OF SCIENCE, LUCINDA EXTENSION CAMPUS

REQUESTING OFFICE:
PROF. MARY JANE N. RIGOR
DEAN, COS

CHECKED BY:
ENGR. RYAN M. LAYUG
PMU, HEAD

RECOMMENDING APPROVAL:
AR. FERDINAND S. VALENCIA
ADMO, DIRECTOR

RECOMMENDING APPROVAL:
DR. MARLON V. GAMIDO
VP ADMIN AND FINANCE

APPROVED BY:
DR. MYRNA Q. MALLARI
PRESIDENT

CHECKED BY:
AR. FERDINAND S. VALENCIA
ARCHITECTURAL

PREPARED BY:
MS. CHRISTINE DANNIE V. [Signature]
DRAFTSMAN

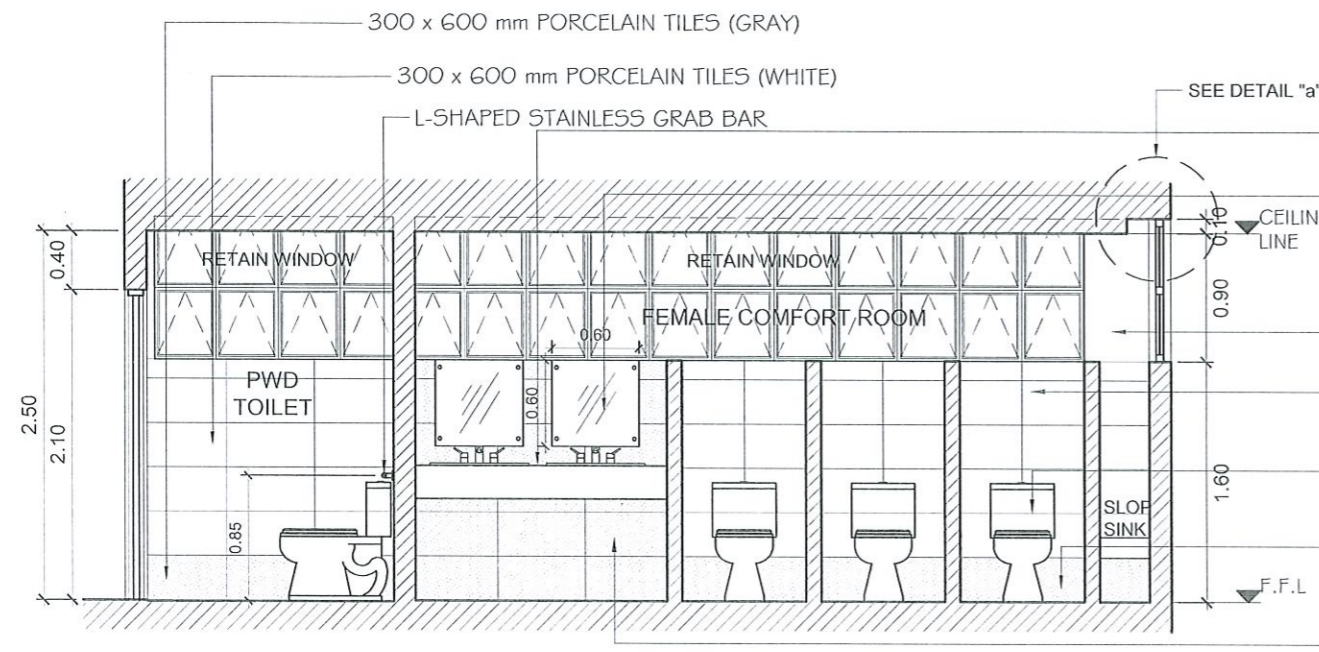
SHEET CONTENTS:
AS SHOWN

DATE: DECEMBER 2021

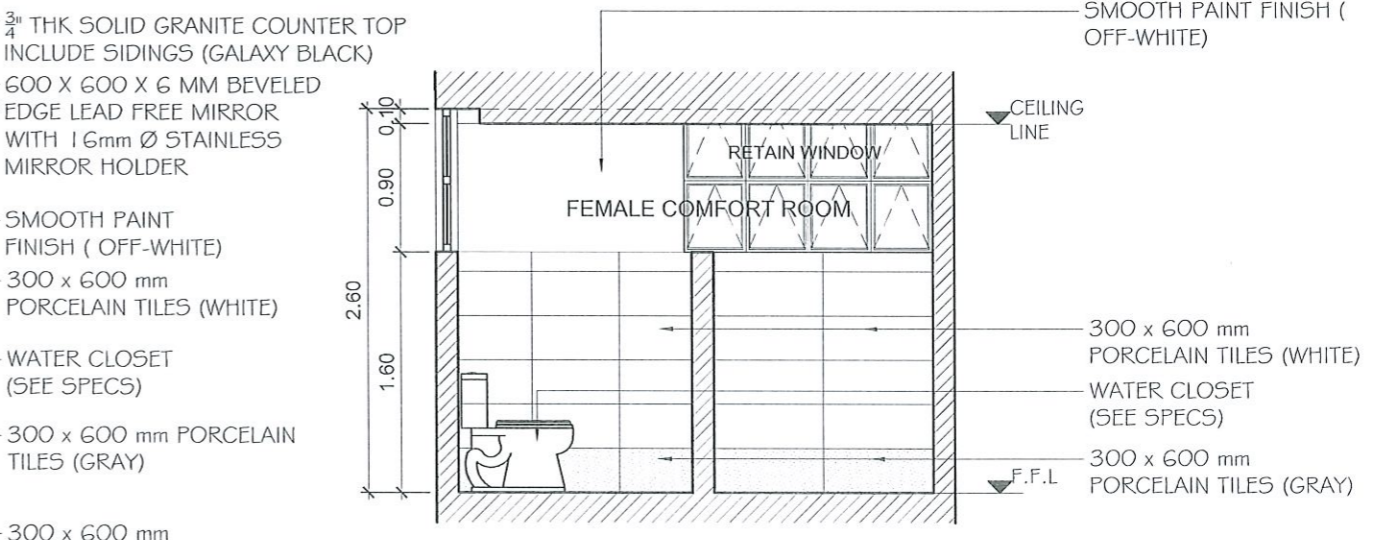
SHEET NO:
A-14

PAGE NO:
22/25

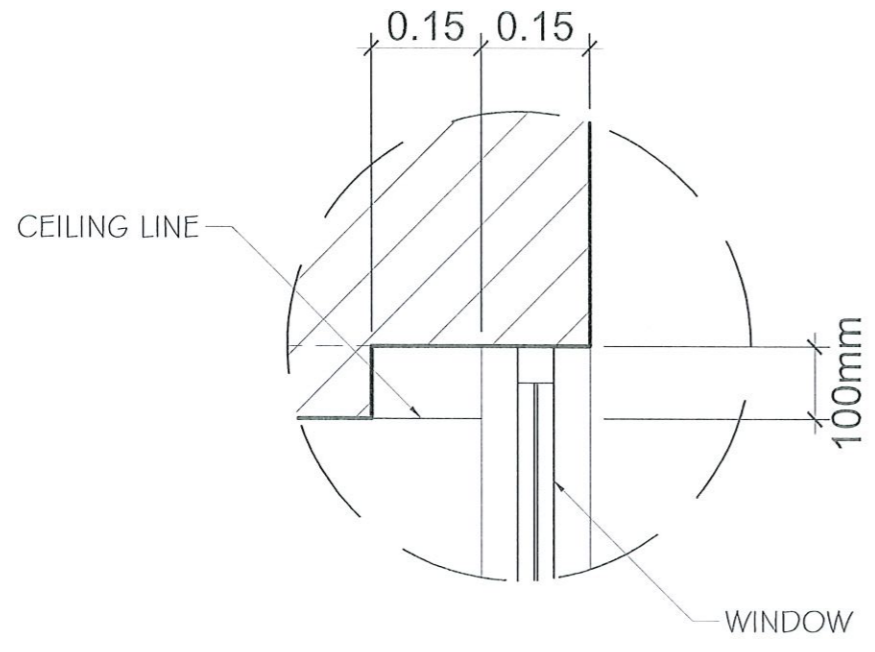
- NOTE:
 1. REPAINT ALL STEEL CASEMENT WINDOW.
 2. CLEAN THE EXISTING GLASS WINDOW.
 3. REPAIR DAMAGED PART THE OF EXISTING STEEL CASEMENT WINDOW.



SECTION THRU "A-A"
 SCALE: 1:50 MTS.



SECTION THRU "B-B"
 SCALE: 1:50 MTS.



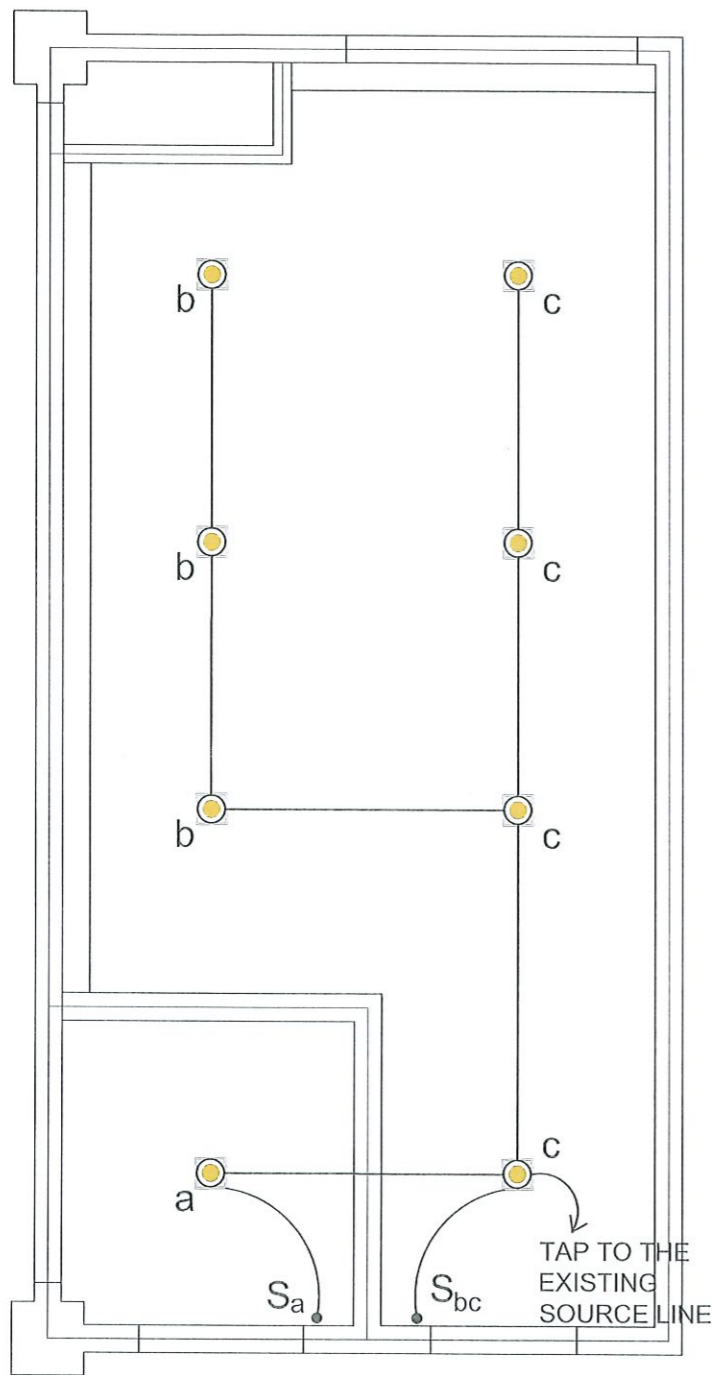
CEILING SECTION "a"
 SCALE: 1:10 MTS.

<p>D1 1 - SET REQUIRED LOCATION: COS PWD COMFORT ROOM</p>	<p>D2 1 - SET REQUIRED LOCATION: COS FEMALE COMFORT ROOM</p>	<p>D3 3 - SETS REQUIRED LOCATION: COS FEMALE COMFORT ROOM</p>
<p>TANGUILE WOOD PANEL DOOR W/ VENT LOUVERS AND DOOR JAMB (SMOOTH VARNISH FINISH) WITH HEAVY DUTY DOME TYPE DOOR KNOB, HINGES AND COMPLETE ACCESSORIES INCLUDING ACRYLIC PWD LOGO</p>	<p>TANGUILE WOOD PANEL DOOR W/ VENT LOUVERS AND DOOR JAMB (SMOOTH VARNISH FINISH) WITH HEAVY DUTY DOME TYPE DOOR KNOB, HINGES AND COMPLETE ACCESSORIES</p>	<p>WOODEN CUBICLE DOOR 3/4" THICK MARINE PLYWOOD WITH S4S WOOD EDGING CUBICLE DOOR INCLUDING 0.5mm METAL JAMB WITH STAINLESS STEEL FLUSH MOUNTED HINGES AND TOILET DOOR STAINLESS STEEL SECURITY BOLT LOCK PLUG HARDWARE</p>

PROPOSED SCHEDULE OF DOORS & WINDOWS
 SCALE: 1:60 MTS.



PROJECT TITLE: CONSTRUCTION OF CET STUDENT & PWD COMFORT ROOM AND REFURBISHMENT OF COS GROUND FLOOR FEMALE & PWD COMFORT ROOM	REQUESTING OFFICE: PROF. MARY JANE N. RIGOR DEAN, COS	CHECKED BY: ENGR. RYAN M. LAYUG PMU, HEAD	RECOMMENDING APPROVAL: AR. FERDINAND S. VALENCIA FPMO, DIRECTOR	RECOMMENDING APPROVAL: DR. MARLON V. GAMIDO VP ADMIN AND FINANCE	APPROVED BY: DR. MYRNA G. MALLARI PRESIDENT	CHECKED: AR. FERDINAND S. VALENCIA ARCHITECTURAL	SHEET CONTENTS: AS SHOWN	SHEET NO: A-15
PROJECT LOCATION: TARLAC STATE UNIVERSITY COLLEGE OF SCIENCE, LUCINDA EXTENSION CAMPUS						PREPARED: MS. CHRISTINE DIANNE V. P... DRAFTSMAN	DATE: DECEMBER 2021	PAGE NO: 23/25



GENERAL NOTES & SPECIFICATIONS

1. THE ELECTRICAL WORK HEREIN SHALL BE DONE IN ACCORDANCE WITH THESE PLANS AND SPECIFICATIONS APPLICABLE PROVISIONS OF THE LATEST EDITION OF THE PHILIPPINE ELECTRICAL CODE, RULES AND REGULATIONS OF THE LOCAL ENFORCING AUTHORITY AND THE REQUIREMENTS OF THE TEI.
2. POWER SERVICE SHALL SINGLE PHASE 220V, 60Hz AC.
3. THE ELECTRICAL INSTALLATION SHALL BE DONE IN POLYVINYL CONDUIT SCHEDULE 40 THE MINIMUM SIZE OF WHICH IS 15 mm DIAMETER ELECTRICAL TRADE SIZE (FOR EMBEDDED PIPES) AND INTERMEDIATE METAL CONDUIT (FOR RUN EXPOSED).
4. THE WIRE MUST BE COLOR CODED AS FOLLOWS:
LINE 1: BLACK LINE 2: RED
5. ALL WIRES SHALL BE COOPER AND THERMOPLASTIC INSULATED TYPE THHN UNLESS OTHERWISE INDICATED IN PLANS WHEREIN THE MINIMUM SIZE SHALL BE 3.5mm².
6. ANY DISCREPANCY IN LOCATION AND RATING OF ELECTRICAL EQUIPMENT SHALL BE VERIFIED WITH THE OWNER AND CHANGES SHALL BE MADE ACCORDINGLY.
7. ALL MATERIALS TO BE USED SHALL BE BRAND AND NEW MUST BE APPROVED TYPE FOR THE LOCATION AND PURPOSED INTENDED.
8. MOUNTING HEIGHT SHALL BE AS FOLLOWS:
a) LIGHT SWITCH.....1.40 m. above finished floor line
9. ALL ELECTRICAL WORKS SHALL BE DONE UNDER THE IMMEDIATE SUPERVISION OF A DULY LICENSED PROFESSIONAL ELECTRICAL ENGINEER OR REGISTERED ELECTRICAL ENGINEER PRACTITIONER.

LEGEND	
S _a	ONE GANG SWITCH
S _{ab}	TWO GANG SWITCH
	12W LED SLIM DOWNLIGHT

PROPOSED LIGHTING LAYOUT
SCALE: 1:40 MTS.



PROJECT TITLE:
CONSTRUCTION OF CET STUDENT & PWD COMFORT ROOM AND REFURBISHMENT OF
COS GROUND FLOOR FEMALE & PWD COMFORT ROOM

PROJECT LOCATION:
TARLAC STATE UNIVERSITY
COLLEGE OF SCIENCE, LUCINDA EXTENSION CAMPUS

REQUESTING OFFICE:
PROF. MARY JANE N. RIGOR
DEAN, COS

CHECKED BY:
ENGR. RYAN M. LAYUG
FDMO-PMU, HEAD

RECOMMENDING APPROVAL:
AR. FERDINAND S. VALENCIA
FDMO, DIRECTOR

RECOMMENDING APPROVAL:
DR. MARLON V. GAMIDO
VP ADMIN AND FINANCE

APPROVED BY:
DR. MYRNA Q. MALLARI
PRESIDENT

CHECKED:
ENGR. CRISPIN L. FLORA
ELECTRICAL

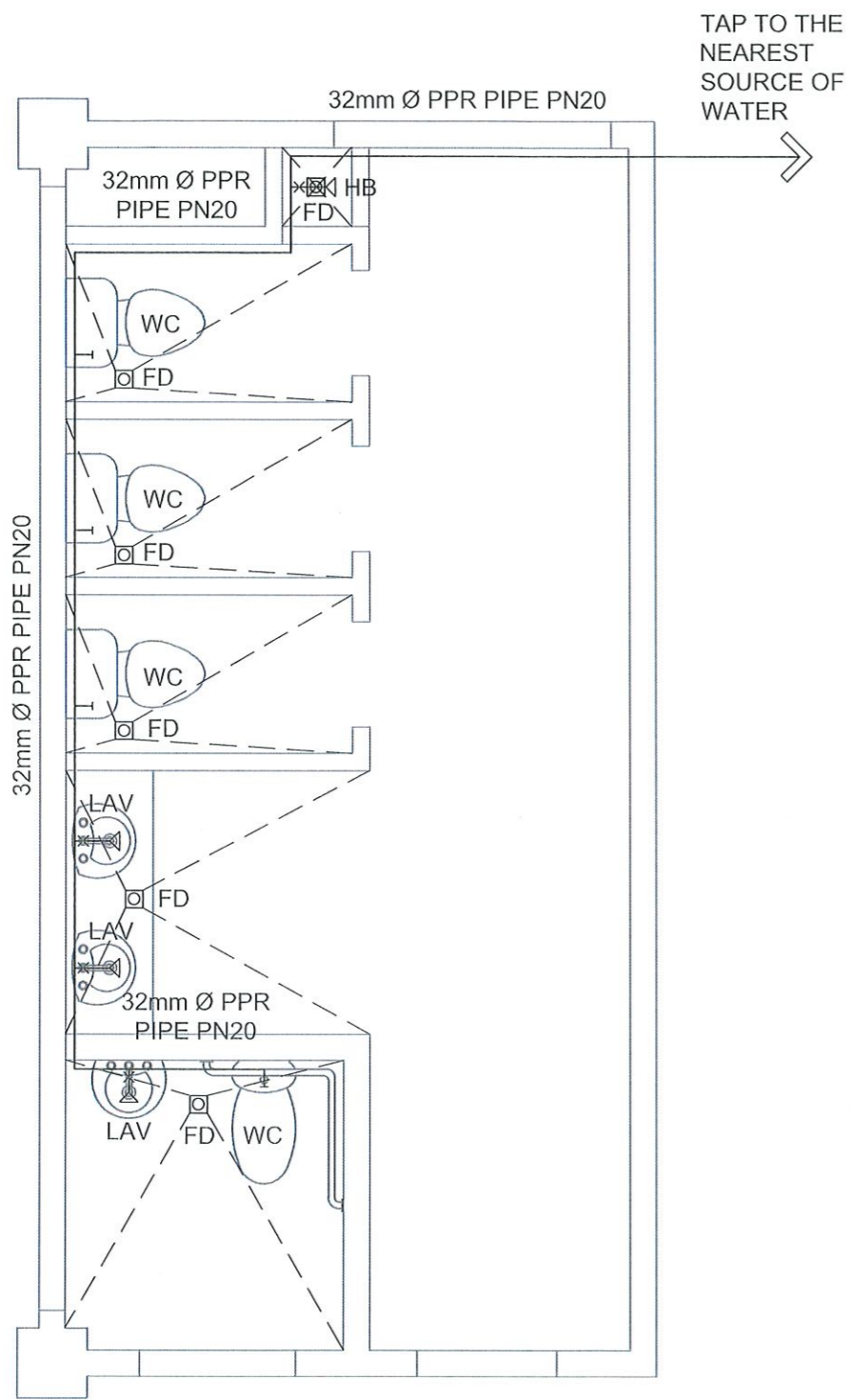
PREPARED:
ENGR. MISCHEL REYNOLDO V. CABANSAG
ELECTRICAL ENGINEER

SHEET CONTENTS:
AS SHOWN

DATE: DECEMBER 2021

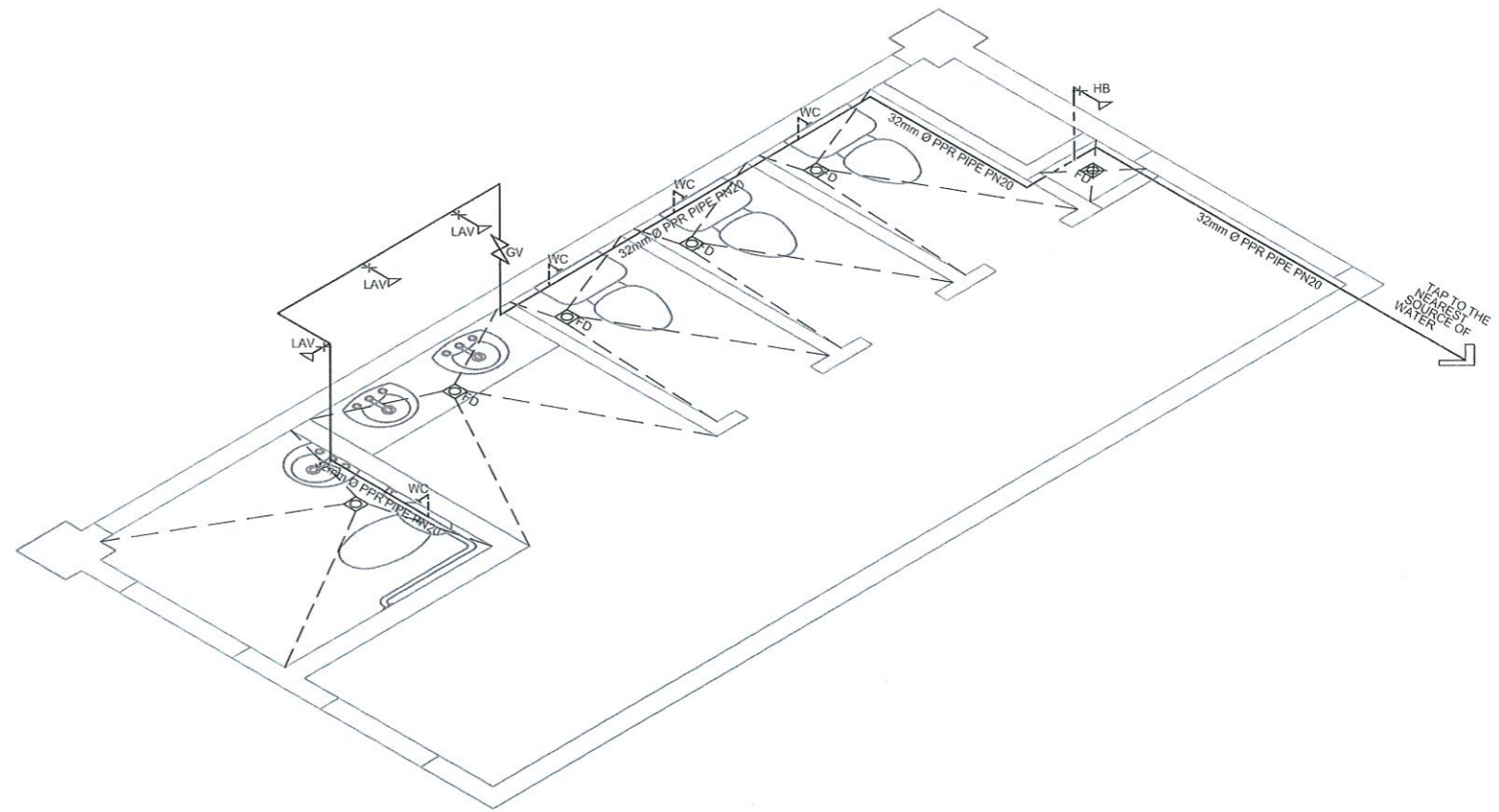
SHEET NO:
E-02

PAGE NO:
24/25



○ WATER LINE LAYOUT
SCALE: 1:40 MTS.

LEGEND	
CO	CLEAN OUT
CB	CATCH BASIN
FD	FLOOR DRAIN
LAV	LAVATORY
GV	GATE VALVE
WC	WATER CLOSET
URI	URINAL
SHO	SHOWER HEAD
—	WATER LINE
PPR	POLYPROPYLENE RANDOM COPOLYMER



○ WATER LINE ISOMETRIC LAYOUT
SCALE: 1:40 MTS.



TARLAC STATE UNIVERSITY
Facilities Development and
Management Office
Romulo Boulevard, Tarlac City, Philippines 2300

PROJECT TITLE: CONSTRUCTION OF CET STUDENT & PWD COMFORT ROOM AND REFURBISHMENT OF COS GROUND FLOOR FEMALE & PWD COMFORT ROOM	REQUESTING OFFICE: PROF. MARY JANE N. RIGOR DEAN, COS	CHECKED BY: ENGR. RYAN M. LAYUG FDMO-PMU, HEAD	RECOMMENDING APPROVAL: AR. FERDINAND S. VALENCIA FDMO, DIRECTOR	RECOMMENDING APPROVAL: DR. MARLON V. GAMIDO VP ADMIN AND FINANCE	APPROVED BY: DR. MYRNA Q. MALLARI PRESIDENT	CHECKED: ENGR. RYAN M. LAYUG PLUMBING	SHEET CONTENTS: AS SHOWN	SHEET NO.: P-06
PROJECT LOCATION: TARLAC STATE UNIVERSITY COLLEGE OF SCIENCE, LUCINDA EXTENSION CAMPUS						PREPARED: MS. CHRISTINE DIANE DRAFTSMAN	DATE: DECEMBER 2021	PAGE NO.: 25/25